

Components for Control Stations

HL0101-S Series Explosion-proof button/switch modules

1 Explosion protection to

- CENELEC
- IEC
- ◆ Can be used in
 - Zone 1 and Zone 2
 - Zone 21 and Zone 22
- ◆ The material of signal lamp cap is PC polycarbonate black
- ◆ The product shall be used with flame-proof box, but can not be used alone in explosive gas environment and combustible dust environment



(S1) (S2) (S3) (Y1)



(M) (MD)

2 Catalogue number logic

HL0101-□/□/□/□/□/□

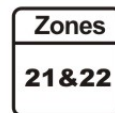
- F-With identify(optional)
- G-With padlock(optional)
- None-Board before type
- M-Board back type(optional)
- MD-Back of board cable(optional)
- 0-Middle
- 1-Left
- 2-Right

Pull out the location

Identifying code	01	02	03	04	05	11	12	13	14	15	16	99
Identifying words	0-I	I-II	I-0-II	0--I	0--I	Part Close	Auto Manual	Spot Remote	Auto Stop Manual	Stop -- Run -- Start	Lock up Run -- Start	On request
Color of identifying sign	Silver	Silver	Silver	Silver	Silver	Silver	Silver	Silver	Silver	Silver	Silver	Silver
Color of words	Black	Black	Black	Black	Black	Black	Black	Black	Black	Black	Black	Black

Switch code	Contacting fig	Position of knob	Switch code	Contacting fig	Position of knob	Switch code	Contacting fig	Position of knob
01			03			05		
02			04			06		

- Code of button head
 - S1- φ 38 Operating handle
 - S2- φ 65 Operating handle(Can with padlock)
 - S3-Square operating handle
 - Y1-key-operated button head
- Product code
- Enterprise code

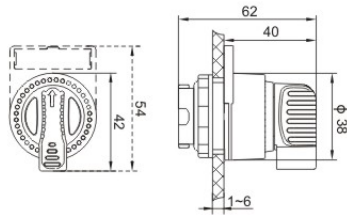


HL0101-S Series Explosion-proof button/switch modules

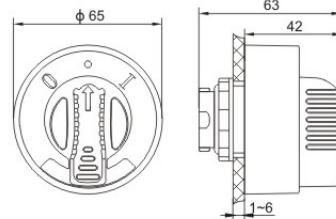
3 Technical data

Conformity to standards	EN 60079-0, EN 60079-1, EN 60079-7, EN 60079-31 IEC 60079-0, IEC 60079-1, IEC 60079-7, IEC 60079-31		
Enclosure material	Polyamide(PA66)		
Rated voltage/Rated current	AC220-250V/6A, AC380/6A, AC415/6A, AC220-250V/10A, AC380/10A, AC415/10A, DC24V/0.4A, DC60V/0.9A, DC110V/1.6A, DC220V/0.25A		
Degree of protection	After assembly: IP66		
Terminal	Suitable for 1.0~2.5mm ² cable		
Button element			
Material	Polyamide(PA66)		
Washer	Silicon rubber		
φ 38 Operating handle φ 65 Operating handle (Can with padlock) Square operating handle	Two-place switch function: can be turned within 90 degree Three-place switch function: can be turned within 125 degree		
Explosion protection	⊕ IIC G Ex eb IIC Gb, ⊕ IIC D Ex tb IIIC Db		
Working temperature	-40℃ ~ +80℃		
Weight	S1:36 g, S2:50 g, S3:48 g, Y1:58 g		
Explosion protection	⊕ IIC G Ex db eb IIC Gb		
Ambient temperature	≤6A: -40℃ ~ +70℃, 10A: -40℃ ~ +60℃		
Working temperature	-40℃ ~ +85℃		
Weight	30g		
Explosion protection	⊕ IIC G Ex db eb IIC Gb		
Ambient temperature	≤6A: -40℃ ~ +70℃, 10A: -40℃ ~ +65℃		
Working temperature	-40℃ ~ +85℃		
Weight	78g		
Explosion protection Ambient temperature(≤6A)	-40℃ ~ +55℃ :		
			⊕ IIC G Ex db eb IIC T6 Gb ⊕ IIC D Ex tb IIIC T80℃ Db
	-40℃ ~ +65℃ :		⊕ IIC G Ex db eb IIC T5 Gb ⊕ IIC D Ex tb IIIC T95℃ Db
Explosion protection Ambient temperature(10A)	-40℃ ~ +50℃ :		⊕ IIC G Ex db eb IIC T6 Gb ⊕ IIC D Ex tb IIIC T80℃ Db
	-40℃ ~ +55℃ :	⊕ IIC G Ex db eb IIC T5 Gb ⊕ IIC D Ex tb IIIC T95℃ Db	
Cable outer dia.	φ 5 ~ φ 9mm、φ 9 ~ φ 13mm		
Weight	90g		

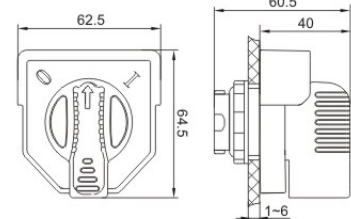
4 Outline dimension



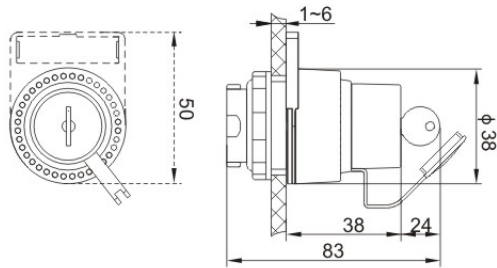
S1- φ 38 Operating handle



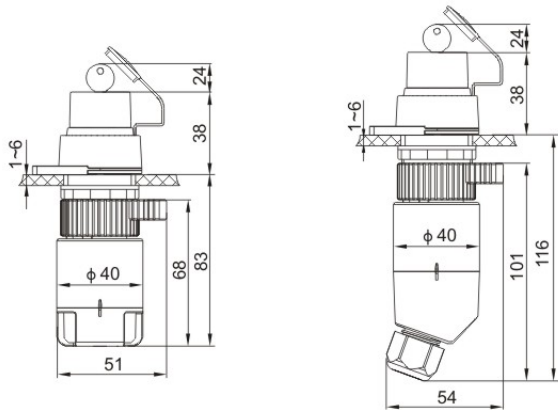
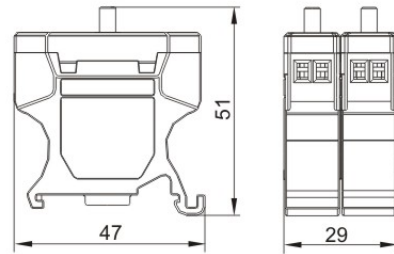
S2- φ 65 Operating handle(Can with padlock)



S3-Square operating handle

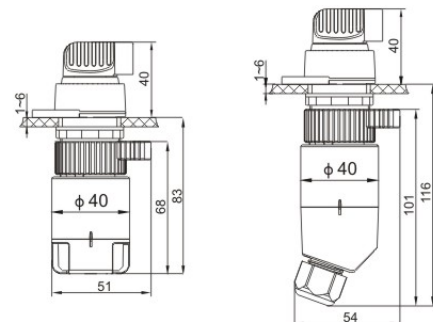


Y1-key-operated button head



(M)

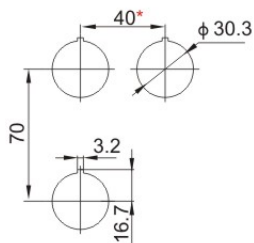
(MD)



(M)

(MD)

5 Installation distance



*: Board before:
S2 Space between $\geq 67\text{mm}$
S3 Space between $\geq 65\text{mm}$

*: Back-board:
S1 Space between $\geq 45\text{mm}$
S2 Space between $\geq 67\text{mm}$
S3 Space between $\geq 65\text{mm}$
Y1 Space between $\geq 45\text{mm}$