

# ETH20MD-32

## 117 to 109 Db 1 mt.

Ex db IIB+H2 Gb Ex tb IIIC Db II2GD  
**or**  
 Ex db IIC Gb Ex tb IIIC Db II2GD

T5  
T100°C

-20°C  
+40°C

**SOUNDER/HORNS EXPLOSION PROOF  
32 TONE SELECTABLE**

zone 1 zone 2

**DIRECTIVE 2014/34/UE**

T6  
T85°C

-20°C

**SIRENA ELETTRONICA ANTIDEFLAGRANTE  
32 SUONI SELEZIONABILI**

zone 21 zone 22



IP66

+60°C

<b>Caratteristiche:</b>	Sirena elettronica a basso consumo energetico. Certificato ATEX a nuova normativa EN60079. I segnalatori acustici serie ETH sono impiegati in ambienti dove è necessario l'utilizzo di una segnalazione di allarme e dove è presente una potenziale atmosfera esplosiva. Le sirene serie ETH sono multifunzione e permettono di avvisare in caso di pericolo e in caso di evacuazione per la presenza di un incendio grazie a 32 differenti suoni selezionabili
<b>Features:</b>	<i>Electronic Sounder low current consumption built. Certification ATEX with new standard EN60079. ETH series sirens are used in environments where a warning system is needed and where the atmosphere is potentially explosive. ETH sirens are multi-functional. The 32 different types of sound can be programmed to provide warning in the event of danger or evacuation in the case of fire.</i>
<b>Materiali:</b>	Costruita in alluminio a basso contenuto di rame, provvista di circuito elettronico di modulazione ed unità di risonanza. Il suono è amplificato da una tromba esterna di tipo esponenziale in alluminio (a richiesta ACCIAIO INOX 316).
<b>Materials:</b>	<i>Built in low copper content aluminium alloy, supplied with electronic modular circuit and resonance unit. The sound is amplified by an external exponential aluminium trumpet (on request STAINLESS STEEL 316).</i>



# 109/117 dB 1mt.

<b>PESO / WEIGHT</b> 3.8Kg
<b>PROTEZIONE / PROTECTION</b> IP66
<b>MONTAGGIO / MOUNTING</b> STAFFA DI FISSAGGIO MOUNTING BRACKET
<b>SERVIZIO / SERVICE</b> CONTINUO / CONTINUOUS

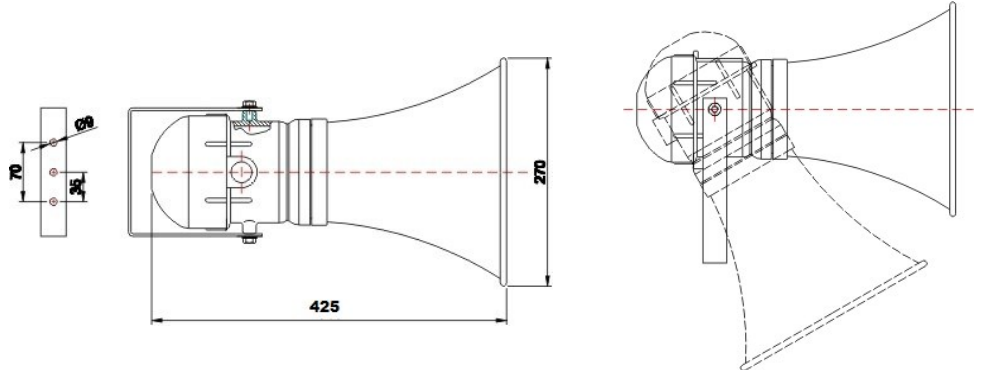
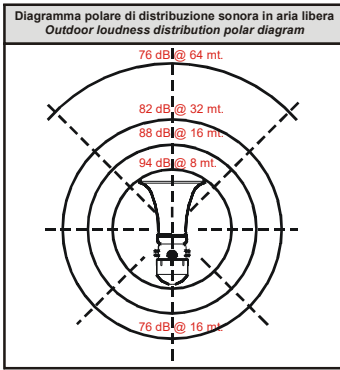
<b>32 SUONI SELEZIONABILI 32 TONE SELECTABLE</b>	
<b>No. of stages</b>	<b>3</b>
Includes an integral volume control which is ideal when a lower output is required.	
Controllo del volume integrato che è l'ideale quando è richiesta una potenza inferiore.	

**ACCESSORI  
A RICHIESTA**  
**ACCESSORIES  
ON REQUEST**

**MOUNTING BRACKET  
STAINLESS STEEL 316**  
  
(R) Red - (Y) yellow  
(A) orange - (G) green  
(BL) blue - (W) white  
(N) black

**STAFFA DI FISSAGGIO  
ACCIAIO INOX 316**  
  
(R) Rosso - (Y) giallo  
(A) arancione - (G) verde  
(BL) blu - (W) bianco  
(N) nero

Specifica tecnica / Technical specification							
<b>CODICE / CODE</b>	ETH20MD/1032/12	ETH20MD/1032/24	ETH20MD/1032/48AC	ETH20MD/1032/48DC	ETH20MD/1032/110AC	ETH20MD/1032/110DC	ETH20MD32/10/230
<b>Tensione / Voltage</b>	12VAC/DC	24VAC/DC	48VAC	48VDC	110VAC	110VDC	230VAC
<b>Corrente / Rated current</b>	0,220A a 24VAC/DC						
<b>Colore / Color</b>	EPOXY COATING RED RAL3000 STANDARD - <b>OTHER COLOR ON REQUEST</b>						
<b>Imbocco / Cable entry</b>	3/4"						
<b>Dimensioni / Dimensions</b>	Vedere dettagli / See detail						



CODICE ORDINE - CODE ORDER				EXAMPLE / ESEMPIO
	<b>TENSIONE VOLTAGE</b>	<b>COLORE SIRENA COLORE SOUNDER/HORN</b>	<b>CERTIFICATO CERTIFICATION</b>	<b>ETH20MD/1032/24VDC/Y/B</b>
<b>ETH20MD/1032</b> .....	12VAC/DC or 24VAC/DC 48VAC or 48VDC 110VAC or 110VDC 230VAC	(R) Red - (Y) yellow (A) orange - (G) green (BL) blue - (W) white (N) black	(B) Exdb IIB+H2 (C) Exdb IIC	ETH20MD 10W 32 TONE VOLTAGE 24VDC COLOR GIALLO IIB+H2 ETH20MD 10W 32 TONI TENSIONE 24VDC COLORE GIALLO IIB+H2



Tono N°

DIP SWITCH

DIP1 DIP2 DIP3 DIP4 DIP5

1	0	0	0	0	0
2	1	0	0	0	0
3	0	1	0	0	0
4	1	1	0	0	0
5	0	0	1	0	0
6	1	0	1	0	0
7	0	1	1	0	0
8	1	1	1	0	0
9	0	0	0	1	0
10	1	0	0	1	0
11	0	1	0	1	0
12	1	1	0	1	0
13	0	0	1	1	0
14	1	0	1	1	0
15	0	1	1	1	0
16	1	1	1	1	0
17	0	0	0	0	1
18	1	0	0	0	1
19	0	1	0	0	1
20	1	1	0	0	1
21	0	0	1	0	1
22	1	0	1	0	1
23	0	1	1	0	1
24	1	1	1	0	1
25	0	0	0	1	1
26	1	0	0	1	1
27	0	1	0	1	1
28	1	1	0	1	1
29	0	0	1	1	1
30	1	0	1	1	1
31	0	1	1	1	1
32	1	1	1	1	1

WIRES NOT  
CONNECTED

# TABELLA TONI TONE TABLE



**STAGE 2** **STAGE 3**



**Description**

**STAGE 1** **Power**  
**dB**

T 1	115 dB	Continuous 1000Hz Toxic Gas Alarm	T 31	T 11
T 2	114 dB	Alternating 800/1000Hz at 0.25s intervals	T 17	T 5
T 3	114 dB	Slow Whoop 500/1200Hz at 0.3Hz with 0.5s gap repeated	T 2	T 5
T 4	113 dB	Sweeping 800/1000 at 1Hz	T 6	T 5
T 5	112 dB	Continuous at 2400Hz	T 3	T 27
T 6	109 dB	Sweeping 2400/2900Hz at 7Hz	T 7	T 5
T 7	107 dB	Sweeping 2400/2900Hz at 1Hz	T 10	T 5
T 8	115 dB	Siren 500/1200/500Hz at 0.3Hz	T 2	T 5
T 9	114 dB	Sawtooth 1200/500Hz at 1Hz	T 15	T 2
T 10	111 dB	Alternating 2400/2900Hz at 2 Hz	T 7	T 5
T 11	114 dB	Intermittent 1000Hz at 0.5Hz General alarm	T 31	T 1
T 12	114 dB	Alternating 800/1000Hz at 0.875Hz	T 4	T 5
T 13	114 dB	Intermittent 2400Hz at 1Hz	T 15	T 5
T 14	115 dB	Intermittent 800Hz 0.25s on 1s off	T 4	T 5
T 15	116 dB	Continuous at 800Hz	T 2	T 5
T 16	111 dB	Intermittent 660Hz 150mS on, 150mS off	T 18	T 5
T 17	109 dB	Alternating 544Hz (100mS) / 440Hz (400mS)	T 2	T 27
T 18	111 dB	Intermittent 660Hz 1.8s on, 1.8s off	T 2	T 5
T 19	112 dB	1400Hz to 1600Hz sweep up over 1s 1600Hz to 1400Hz sweep down over 0,5s	T 2	T 5
T 20	113 dB	Continuous 660Hz	T 2	T 5
T 21	108 dB	Alternating 554/440Hz at 1Hz	T 2	T 5
T 22	112 dB	Intermittent 554Hz at 0.875Hz	T 2	T 5
T 23	114 dB	800Hz pulsing at 2 Hz	T 6	T 5
T 24	116 dB	Sweeping 800/1000Hz at 50Hz	T 29	T 5
T 25	110 dB	Sweeping 2400/2900Hz at 50Hz	T 29	T 5
T 26	111 dB	Simulated bell sound	T 2	T 1
T 27	110 dB	Continuous 554Hz	T 26	T 5
T 28	109 dB	Continuous 440Hz	T 2	T 5
T 29	116 dB	Sweeping 800/1000Hz at 7Hz	T 7	T 5
T 30	111 dB	420Hz repeating 0.62 5s on, 0.625s off Australian alert signal	T 32	T 5
T 31	116 dB	1200/500Hz at 1 Hz Prepare to Abandon Platform	T 11	T 1
T 32	117 dB	Sweeping 500/1200Hz 3.75s on, 0.25s off 15Hz	T 26	T 1