



## BExBGL

### Explosion-Proof LED Status Light and Beacon



- Marine grade, corrosion proof, LM6 aluminum enclosure
- Ingress protection IP66/67
- Choice of five flash rates: 1Hz, 1.5Hz, 2Hz, double and triple flash.
- High and low power Steady On modes
- Three remotely selectable stages/channels on DC versions.
- Glass lens & Stainless Steel guard
- UV stable PC field replaceable lens color filter
- Stainless steel fixings
- Dual cable entries
- Duplicate cable terminations (in & out for daisy-chain installations)
- Ratchet adjustable stainless steel 'U' bracket.

Tomar Electronics flameproof BExBGL LED beacon is suitable for Zone 1, 2, 21 & 22 applications. It is approved to IECEx, ATEX, Ex EAC and INMETRO standards.

The BExBGL explosion proof LED status light & beacon utilizes an array of high power Cree® LED's, orientated to optimize visibility in any direction. The beacon can be configured as a steady beacon for status indicator use, with a light output of up to 87 candela. Alternatively one of the five flashing modes, with a light output of up to 160 candela, may be used for warning applications. DC voltage versions feature three remotely selectable stages enabling multiple warnings to be signaled from one device. The UV stable color filter enhances the light output and is field replaceable.

#### Approvals

- IECEx KEM 10.0002X
- IEC 60079-0 : 2011
- IEC 60079-1 : 2007-4
- IEC 60079-31 : 2013
- ATEX KEMA 00ATEX2006X
- EN 60079-0 : 2012 + A11
- EN 60079-1 : 2007
- EN 60079-31 : 2014
- TR-CU Ex EAC certificate: RU C-GB.AA71.B.00109

#### Coding

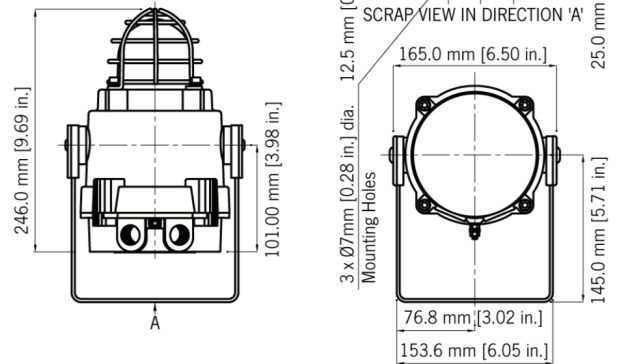
- II 2G Ex d IIC T6 Gb Ta. -50°C to +60°C
- II 2G Ex d IIC T5 Gb Ta. -50°C to +70°C
- II 2D Ex tb IIIC T60°C Db Ta. -50°C to +40°C
- II 2D Ex tb IIIC T75°C Db Ta. -50°C to +55°C
- II 2D Ex tb IIIC T90°C Db Ta. -50°C to +70°C



## Multi-function patterns

Stage 1: [On board]	Stage 2: [Remote]	Stage 3: [Remote]
Steady High Power	Flashing 1Hz	Triple Flash
Steady Low Power	Flashing 1Hz	Triple Flash
Flashing 1Hz	2x Flash 2Hz	Triple Flash
Flashing 1.5Hz	Flashing 2Hz	Double Flash
Flashing 2Hz	Triple Strike	Triple Flash
Double Flash	Steady High Power	Triple Flash
Triple Flash	Flashing 2Hz	Double Flash

Note: Remote second and third stage on DC units only



## Specifications

Item	Description
Source	Array of 4 x High Power Cree® LED's
Modes	1Hz flash (60 fpm), 1.5Hz flash (90 fpm), 2Hz flash (120 fpm), Double strike flash, Triple strike flash, High Power Steady, Low Power Steady
Eff. Intensity cd	87 cd- High Power Steady
Eff. Intensity cd	160 cd- 1 Hz flash
Lens colors	Amber, Blue, Clear, Green, Magenta, Red & Yellow
Voltages DC	24V dc (18-54V dc)
Voltages AC	115V ac; 230V ac
Ingress protection	IP66/67
Enclosure material	Marine grade copper free LM6 Aluminum
Enclosure finish	Chromate & powder coated finish - anti-corrosion
Color	RAL3000 Red (Others available upon request)
Cable entries	Dual M20 ISO (one stopping plug incl.)
Terminals	0.5 - 2.5mm <sup>2</sup> (20-14 AWG)
Enclosure volume	<2 liters
Line monitoring	Blocking diode included EOL Min. 500 Ohm 2w, or 3k3 Ohm 0.5w resistor or diode (DC versions) can be fitted
LED life	60,000 hours
Grounding stud	M5
Temperature range	-50° to +70°C (-58°F to +158°F)
Relative humidity	90% at 20°C [68°F]
Weight	DC:2.45kg/5.39lbs AC: 2.75kg/6.05lbs

\*All candela data is representative of performance with clear lens at optimum voltage

## Ordering Information

Please specify lens color when ordering: Amber, Blue, Clear, Green, Magenta, Red, Yellow

Model	Voltage	Steady High Power Current	Steady Low Power Current	Steady 1Hz Current
BExBGL-024-(lens color)	18-54 VDC	240mA	134mA	110mA
BExBGL-115-(lens color)	+/- 10% 50/60Hz	95mA	78mA	90mA
BExBGL-230-(lens color)	+/- 10% 50/60Hz	48mA	34mA	45mA

2 x M20 cable entries; brass stopping plug. 304 (A2) Stainless steel mounting bracket and lens guard

# BExBGL

## Explosion-Proof LED Status Light and Beacon