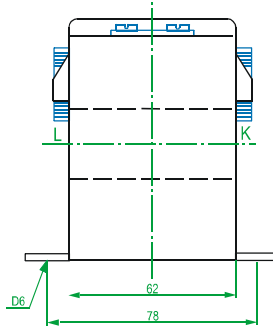
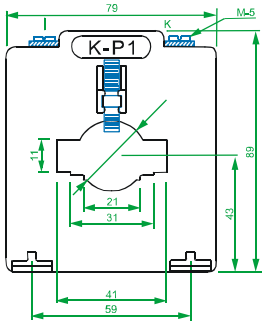


**Current Transformer  
Window – Type  
0.72/ 3kV; 50 – 60 Hz**

**MAG ELECTRIC Co.**



**Type AL2**



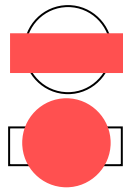
**Window Sizes**

**Bars**

**40 × 10 or**

**30 × 10**

**Round conductors up to 25 Ø**

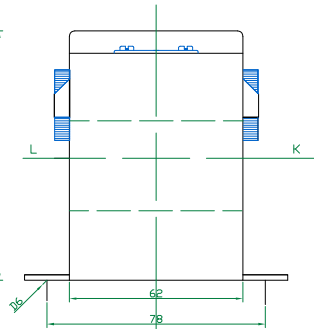
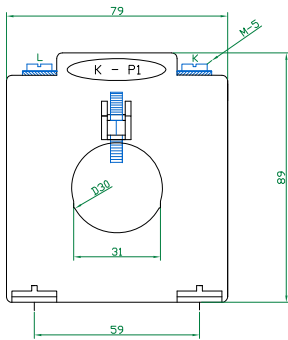


*Accessories on request:  
Secondary terminal cover  
Mounting feet  
Dimensions in mm*

Secondary Primary A	1A,5A	Class 1	Class 3
	Class 0.5 Max(VA)	Max(VA)	Max(VA)
200	5	7.5	10
250	7.5	10	12.5
300	10	12.5	15
400	25	30	37.5
500	30	35	45
600	30	35	50
800	35	40	50

*Other VA-Ratings, special ratios and CT's class 0.2 on request*

**Type AL2 E**

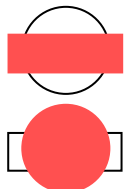


**Window Sizes**

**Bars**

**30 × 10**

**Round conductors up to 32 Ø**



*Accessories on request:  
Secondary terminal cover  
Mounting feet*

*Dimensions in mm*

Secondary Primary A	1A,5A	Class 1	Class 3
	Class 0.5 Max(VA)	Max(VA)	Max(VA)
100	2.5	5	10
150	7.5	12.5	15
200	10	15	17.5
250	12.5	15	17.5
300	17.5	20	22.5
400	25	30	37.5
500	30	35	45
600	30	35	50

*Other VA-Ratings, special ratios and CT's class 0.2 on request*

**! It is recommended to select the minimum required VA, otherwise the CT's security factor and price will increase.**