

*VLC 10 3p+N LED



Specifications

ETI Code	002545100
Description	*VLC 10 3p+N LED
Class name	Fuse disconnecter
Rated current (A)	32
Size	VLC10
No. Of poles	4
Rated AC voltage (V)	690
Utilization category	AC22B
Mounting	DIN

Online product page [🔗](#)

Other documentation



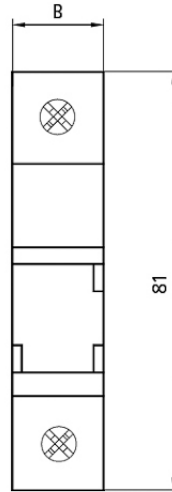
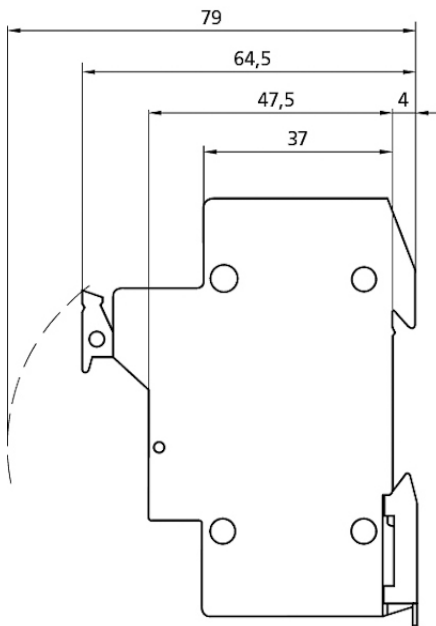
[Certificate](#)

[Instruction manual](#)

ETIM international classification

Classification	EC002705
Class name	Holder for cylindrical fuse
Construction size	VLC10
Rated current	32
Max. rated operation voltage Ue AC	690
Number of knife blade fuse holders	4
Mounting method	DIN
For fuse size	10x38 mm
Number of poles	4

Dimension drawing



	B
VLC 8, 10 1p	17,5
VLC 8, 10 1p+N	35
VLC 8, 10 2p	35
VLC 8, 10 3p	52,5
VLC 8, 10 3p+N	70