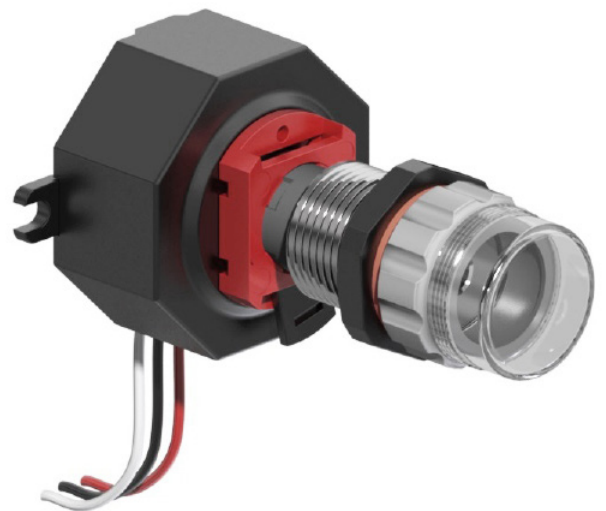


PHOTOCELL

PM



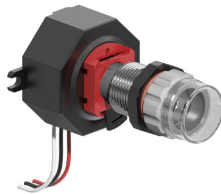
sermat **GRÜN**
ex

REV.07 / 13.10.2020

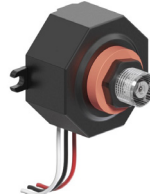
PHOTOCELL-PM

Technical Data

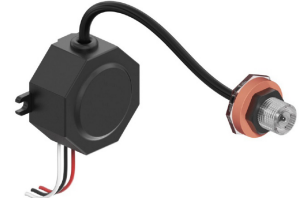
TECHNICAL SPECIFICATION



PM001



PM002



PM003

TYPE OF PROTECTION	Ex "db" - Flameproof Ex "tb" - Dust ignition protection	Ex "mb" - Encapsulated	Ex "mb" - Encapsulated
MARKING	Ex db IIC Gb Ex tb IIIC Db	Ex mb IIC Gb Ex mb IIIC Db	Ex mb IIC Gb Ex mb IIIC Db
AREA OF APPLICATION	Zone 1 Zone 2 Zone 21 Zone 22	Zone 1 (Ex "e" only) Zone 2 Zone 21 Zone 22	Zone 1 (Ex "e" only) Zone 2 Zone 21 Zone 22
INGRESS PROTECTION	IP66	IP66	IP66
TEMPERATURE RANGE	-40°C to 70°C	-40°C to 70°C	-40°C to 70°C
THREAD SIZE	M22 x 1,5 3/4" NPSM	3/8" BSP	3/8" BSP
CABLE COLORS	Black (PR), Red (VM), White (BR)	Black (PR), Red (VM), White (BR)	Black (PR), Red (VM), White (BR)
MAXIMUM LOAD	1.0 kW - Resistive Loads 1.8 kVA - Load with FP < 1	1.0 kW - Resistive Loads 1.8 kVA - Load with FP < 1	1.0 kW - Resistive Loads 1.8 kVA - Load with FP < 1
FREQUENCY	50 / 60 Hz	50 / 60 Hz	50 / 60 Hz
RATED CURRENT	10 A	10 A	10 A
VOLTAGE RANGE	105 - 305 Vac	105 - 305 Vac	105 - 305 Vac
POWER CONSUMPTION	< 1,0 W	< 1,0 W	< 1,0 W
INSTALLATION	PM001 is installed by the coupling of the pilot light SG-EX PL to the photocell base. Can be installed on enclosures and light fixtures. In Ex "d" enclosures: min. 5 fully engaged threads (for 3/4" NPSM), or min. 8mm engaged thread (for M22x1,5). In Ex "tb" enclosures: min. wall thickness: 3,7mm engaged thread (for 3/4"NPSM) or 3mm engaged thread (for M22x1,5).	Fixed on top, PM002 can be installed on enclosures and light fixtures, through 3/8"BSP thread or hole without thread. Min wall thickness: 3mm. Ø hole without thread: 17mm.	Fixed by the base, PM003 photocell has a extension cord that provides more flexibility on the sensor placement. Can be installed on enclosures and light fixtures, through 3/8"BSP thread or hole without thread. Min wall thickness: 3mm. Ø hole without thread: 17mm.

CERTIFICATE OF COMPLIANCE

Segurança



INMETRO

ATEX

I

IECEX

CEPEL 20.2513U
CEPEL 97.0007U

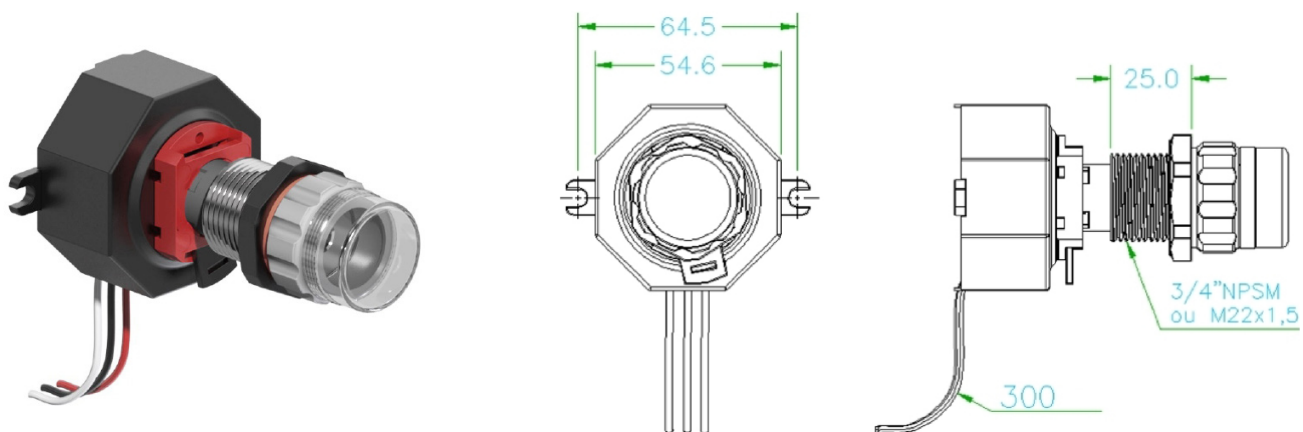
IN CERTIFICATION

PHOTOCELL-PM

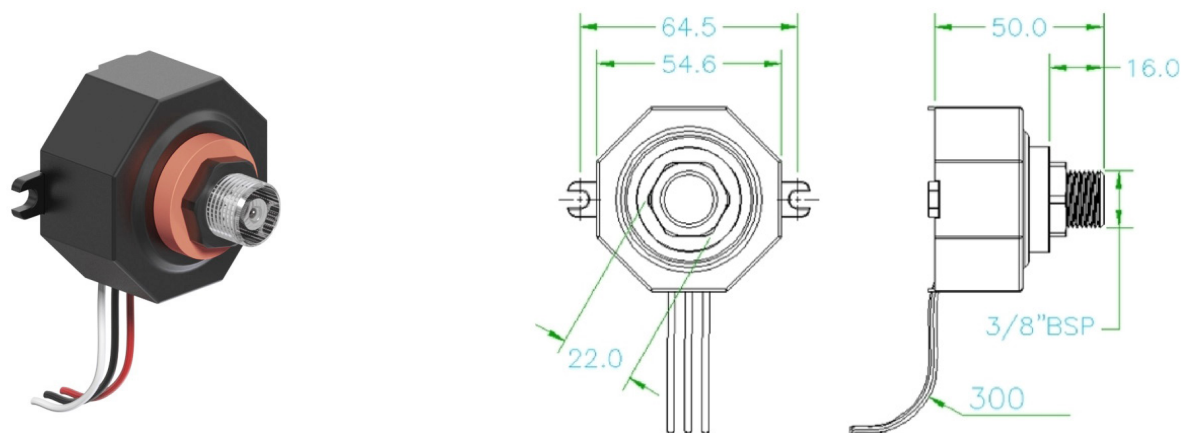
Technical Data

DIMENSIONS

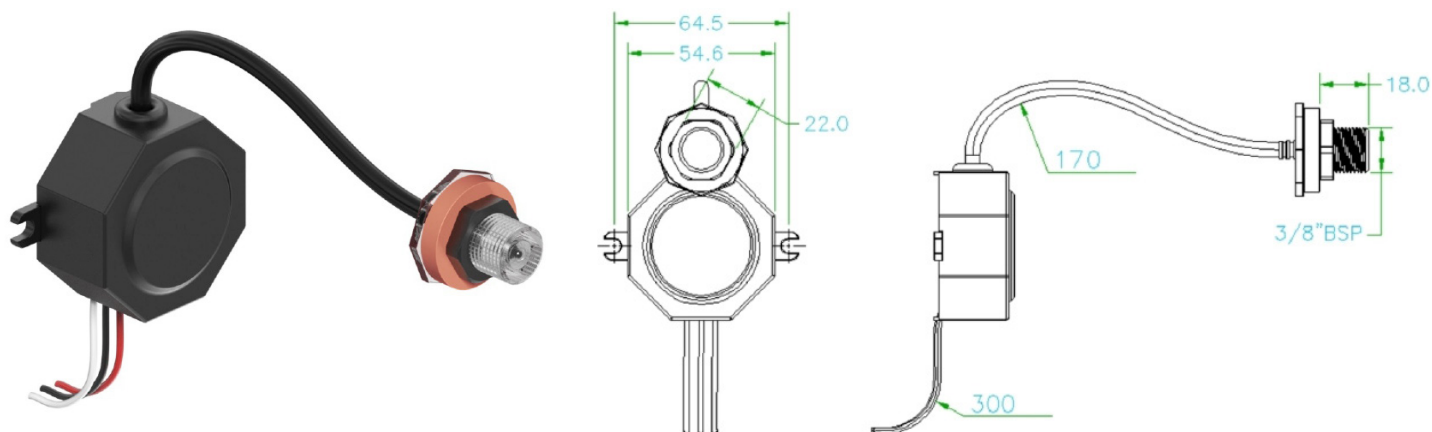
PM001



PM002



PM003



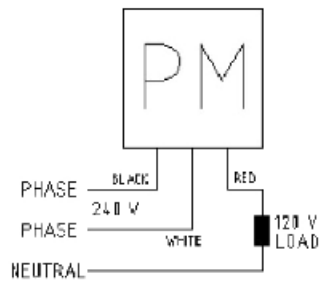
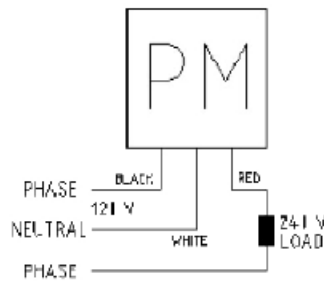
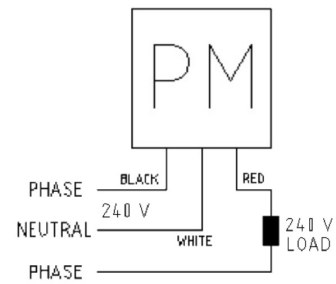
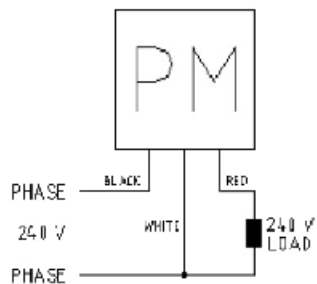
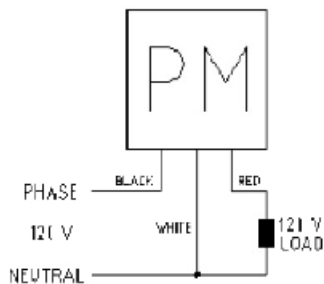
PHOTOCELL-PM

Technical Data

ELECTRICAL SCHEME

for 120V / 240V

for 240V / 400V

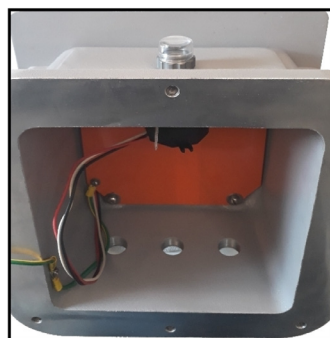


INSTALLATION

PM001

INSTALLATION IN ZONE 1 (INCLUDING FLAMEPROOF EX "D"), ZONE 2, ZONE 21 AND 22 LUMINAIRES AND ENCLOSURES

PHOTOCELL PM001



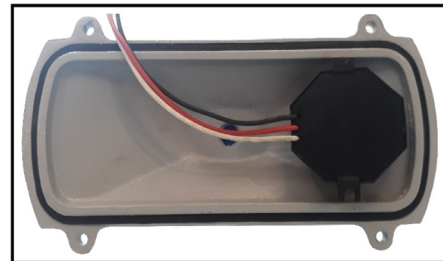
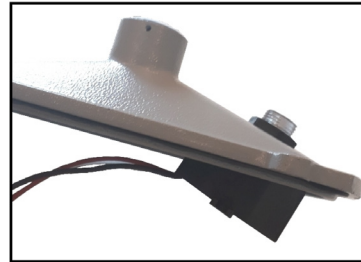
PHOTOCELL-PM

Technical Data

INSTALLATION

PM002 OR PM003

INSTALLATION IN ZONE 1 (INCLUDING INCREASED SAFETY EX "E"), ZONE 2, ZONE 21 AND 22 LUMINAIRES AND ENCLOSURES



PHOTOCELL PM002

