

INDUSTRIAL SAFETY SWITCHES

CEAG safety switches can be protected against inadvertent switching on by our integrated locking facility for up to three padlocks in the OFF position. To prevent manipulations, the enclosure covers cannot be opened in the locked position without destroying the enclosure itself.

- 5** Full AC 3 motor switching capacities and isolating properties according to EN 60947-4-1 with compulsory opening of the main current contacts and optional EMERGENCY STOP versions according to EN 60204-1 are further features offered by CEAG safety switches.

Additional lagging/leading auxiliary contacts guarantee double safety for extreme switching conditions. The safety switches feature an installation-friendly design and easily accessible connection terminals. For rough industrial environments we use the proven enclosures from the explosion-protection areas: impact-resistant, modified moulded-plastic enclosures made of glass-fibre-reinforced polyester, powder-coated steel or stainless steel 316 L. These can be optionally supplied with snap-on moulded plastic or brass flanges. Metal versions can be equipped with screw-on flanges. Up to 630 A the high degree of protection, IP66, is guaranteed.



- Full AC-3 switching capacity
- Double safety: additional auxiliary contact
- Cost-saving installation
- Up to 40 A: snap mounting
- Up to 630 A: IP66 protection



3-pole EMERGENCY STOP



3-pole

Technical data

Industrial safety switch 10 A

Permissible ambient temperature		-20 °C up to +40 °C
Rated voltage		up to max. 500 V
Rated current		max. 10 A
Frequency		50/60 Hz
Rated making/breaking capacity AC-3 accd. EN 60947-3		U_e 230 V / I_e 10 A
		U_e 400 V / I_e 10 A
		U_e 500 V / I_e 10 A
Back-up fuse		up to 400 V AC: 20 A gL
		up to 500 V AC: 16 A gL
Connecting terminals	main contact	2 x 1.5 - 2.5 mm ²
	auxiliary/signal contact	2 x 0.5 - 2.5 mm ²
Protection class		I
Degree of protection accd. to EN 60529		IP66
Cable glands/enclosure drilling		M20 (d = 5 - 13 mm) see ordering details
		M25 (d = 8 - 17 mm) see ordering details
Weight		0.55 kg
Enclosure material		impact resistant polyamide
Enclosure colour		black
Auxiliary contact		1 x NO making - lagging; breaking - leading
Padlocking facility		can be locked in OFF position with 3 commercially available padlocks (Ø max. 6 mm)

Industrial safety switch



3-pole



3-pole EMERGENCY STOP

Ordering details

5

Content	Cable gland	Order No.
Industrial safety switch 10 A		
3-pole	2 x M25 / 1 x M20	GHG 981 0014 R0011
3-pole EMERGENCY STOP	2 x M25 / 1 x M20	GHG 981 0014 R0012

Customized version on request

Accessories

Mounting plate for Industrial safety switch 10 A 3-pole

Type	Application	Fixing method	Order No.
Size 1	Wall mounting	screwless mounting	GHG 610 1953 R0101
Size 1	pipe clamp	screwless mounting	GHG 610 1953 R0102
Size 1	Trellis-work mounting	screwless mounting	GHG 610 1953 R0103

Accessories for mounting plates

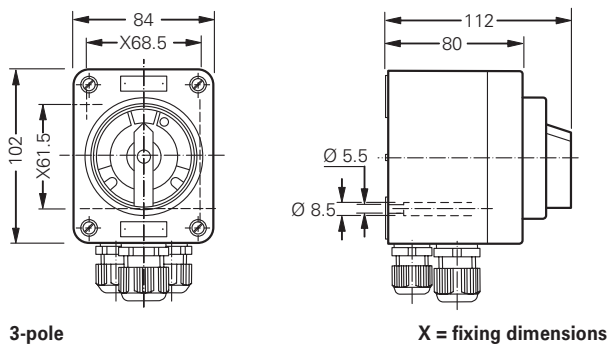
Type	OU	Order No.
Label holder with label (unlabelled) for mounting plate size 1, 2, 2A and 3	10	GHG 610 1953 R0057
Mounting set for pipes 1" (of 27 - 30 mm) for mounting plates with pipe fixing	10	GHG 610 1953 R0020

Accessories for canopies plates

Type	Application	OU	Order No.
Size 1	Mounting plate size 1	1	GHG 610 1955 R0101

Please pay attention that only order units (OU) according to the ordering details can be delivered.

Dimension drawing



Dimensions in mm



Technical data

Industrial safety switch 25 A

Permissible ambient temperature		-20 °C up to +40 °C
Rated voltage		up to max. 690 V
Rated current		max. 25 A
Frequency		50/60 Hz
Rated making/breaking capacity AC-3 accd. EN 60947-3		U_e 230 V / I_e 20 A
		U_e 400 V / I_e 20 A
		U_e 500 V / I_e 16 A
		U_e 690 V / I_e 10 A
Back-up fuse		up to 400 V AC: 35 A gL
		up to 500 V AC: 35 A gL
		up to 690 V AC: 25 A gL
Connecting terminals	main contact	2 x 4 mm ²
	auxiliary/signal contact	2 x 0.5 - 2.5 mm ²
Protection class		I
Degree of protection accd. to EN 60529		IP66
Cable glands/enclosure drilling		M25 (d = 8 - 17 mm) see ordering details
		M32 (d = 12 - 21 mm) see ordering details
		Option: metal flange with 2 x thread
Weight	3-pole	approx. 1.48 kg
	6-pole	approx. 2.43 kg
Enclosure material		glass-fibre reinforced polyester
Enclosure colour		black
Auxiliary contact		1 x NO making - lagging; breaking - leading
		1 x NC (only 6-pole version) making - leading; breaking - lagging
Padlocking facility		can be locked in OFF position with 3 commercially available padlocks (Ø max. 6 mm)

Industrial safety switch



3-pole

3-pole EMERGENCY STOP

6-pole

6-pole EMERGENCY STOP

Ordering details

5

Content	Cable gland	Order No.
Industrial safety switch 25 A 3-pole		
Version with 1 aux. contacts (NO)		
3-pole	2 x M32 / 1 x M25	GHG 981 0037 R0001
3-pole EMERGENCY STOP	2 x M32 / 1 x M25	GHG 981 0037 R0002
Industrial safety switch 25 A 6-pole		
Version with 2 auxiliary contacts (1 NO; 1 x NC)		
6-pole	4 x M32 / 1 x M25	GHG 981 0038 R0001
6-pole EMERGENCY STOP	4 x M32 / 1 x M25	GHG 981 0038 R0002

Customized version on request

Accessories

Mounting plate for Industrial safety switch 25 A 3-pole

Type	Application	Fixing method	Order No.
Size 2	Wall mounting	snap on	GHG 610 1953 R0104
Size 2	pipe clamp	snap on	GHG 610 1953 R0105
Size 2	Trellis-work mounting	snap on	GHG 610 1953 R0106

Mounting plate for Industrial safety switch 25 A 6-pole

Type	Application	Fixing method	Order No.
Size 3	Wall mounting	snap on	GHG 610 1953 R0118
Size 3	pipe clamp	snap on	GHG 610 1953 R0110
Size 3	Trellis-work mounting	snap on	GHG 610 1953 R0118

Accessories for mounting plates

Type	OU	Order No.
Label holder with type label (blank) for mounting plate size 1, 2, 2A and 3	10	GHG 610 1953 R0057
Plug-in fastener for CEAG modules with 5.5 mm and 11 mm mounting feet 1 set = 4 pcs.	10	GHG 610 1953 R0041
Mounting set for pipes 1" (of 27 - 30 mm) for mounting plates with pipe fixing	10	GHG 610 1953 R0020

Accessories for canopies plates

Type	Application	OU	Order No.
Size 2	for mounting plate size 2	1	GHG 610 1955 R0102
Size 2A	for mounting plate size 2A	1	GHG 610 1955 R0103
Size 3	for pipe mounting plate size 3 vertical	1	GHG 610 1955 R0104
Size 3A	for mounting plates wall/trellis fixing size 3 vertical	1	GHG 610 1955 R0105
Size 3B	for mounting plates pipe fixing size 3 horizontal	1	GHG 610 1955 R0106

Please pay attention that only order units (OU) according to the ordering details can be delivered.



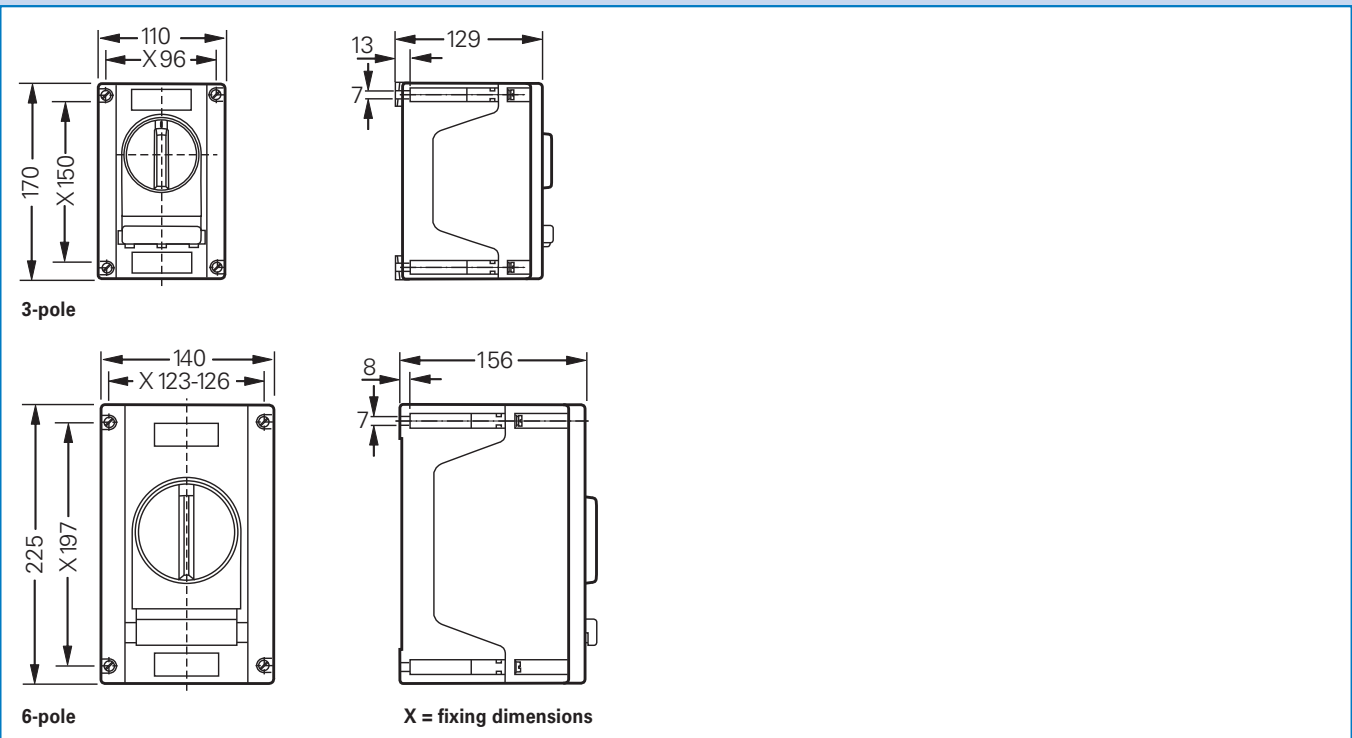
6-pole EMERGENCY STOP

6-pole

3-pole EMERGENCY STOP

3-pole

Dimension drawing



Industrial safety switch



3-pole



3-pole EMERGENCY STOP



6-pole



6-pole EMERGENCY STOP

Technical data

5

Industrial safety switch 40 A

Permissible ambient temperature		-20 °C up to +40 °C
Rated voltage		up to max. 690 V
Rated current		max. 40 A
Frequency		50/60 Hz
Rated making/breaking capacity AC-3 accd. EN 60947-3		U _e 230 V / I _e 40 A
		U _e 400 V / I _e 40 A
		U _e 500 V / I _e 40 A
		U _e 690 V / I _e 32 A
Back-up fuse		up to 400 V AC: 80 A gL
		up to 500 V AC: 80 A gL
		up to 690 V AC: 63 A gL
Connecting terminals	main contact	2 x 16 mm ²
	auxiliary/signal contact	2 x 4 mm ²
Protection class		I
Degree of protection accd. to EN 60529		IP66
Cable glands/enclosure drilling		M25 (d = 8 - 17 mm) see ordering details
		M40 (d = 16 - 28 mm) see ordering details
		Option: metal flange on request
Weight	3-pole	approx. 2.30 kg
	6-pole	approx. 6.50 kg
Enclosure material		glass-fibre reinforced polyester
Enclosure colour		black
Auxiliary contact		1 x NO making - lagging; breaking - leading
		1 x NC making - leading; breaking - lagging
Padlocking facility		can be locked in OFF position with 3 commercially available padlocks (Ø max. 6 mm)



Ordering details

Content	Cable gland	Order No.
Industrial safety switch 40 A 3-pole		
Version with 2 auxiliary contacts (1 NO; 1 x NC)		
3-pole	2 x M40 / 1 x M25	GHG 981 0039 R0001
3-pole EMERGENCY STOP	2 x M40 / 1 x M25	GHG 981 0039 R0002
Industrial safety switch 40 A 6-pole		
Version with 2 auxiliary contacts (1 NO; 1 x NC)		
6-pole	4 x M40 / 1 x M25	GHG 981 0024 R0001
6-pole EMERGENCY STOP	4 x M40 / 1 x M25	GHG 981 0024 R0002

Customized version on request

Accessories

Mounting plate for Industrial safety switch 40 A 3-pole			
Type	Application	Fixing method	Order No.
Size 3	Wall mounting	snap on	GHG 610 1953 R0118
Size 3	Pipe clamp	snap on	GHG 610 1953 R0110
Size 3	Trellis-work mounting	snap on	GHG 610 1953 R0118

Mounting plate for Industrial safety switch 40 A 6-pole			
Type	Application	Fixing method	Order No.
Size 3	2 x pipe clamp	screw-on ¹⁾	GHG 610 1953 R0110

¹⁾ observe mounting distance

Accessories for mounting plates			
Type		OU	Order No.
Label holder with type label (blank) for mounting plate size 1, 2, 2A and 3		10	GHG 610 1953 R0057
Plug-in fastener for CEAG modules with 5.5 mm and 11 mm mounting feet			
1 set = 4 pcs.		10	GHG 610 1953 R0041
Mounting set for pipes 1" (of 27 - 30 mm) for mounting plates with pipe fixing		10	GHG 610 1953 R0020

Accessories for canopies plates			
Type	Application	OU	Order No.
Size 3	for pipe mounting plate size 3 vertical	1	GHG 610 1955 R0104
Size 3A	for mounting plates wall/trellis fixing size 3 vertical	1	GHG 610 1955 R0105
Size 3B	for mounting plates pipe fixing size 3 horizontal	1	GHG 610 1955 R0106

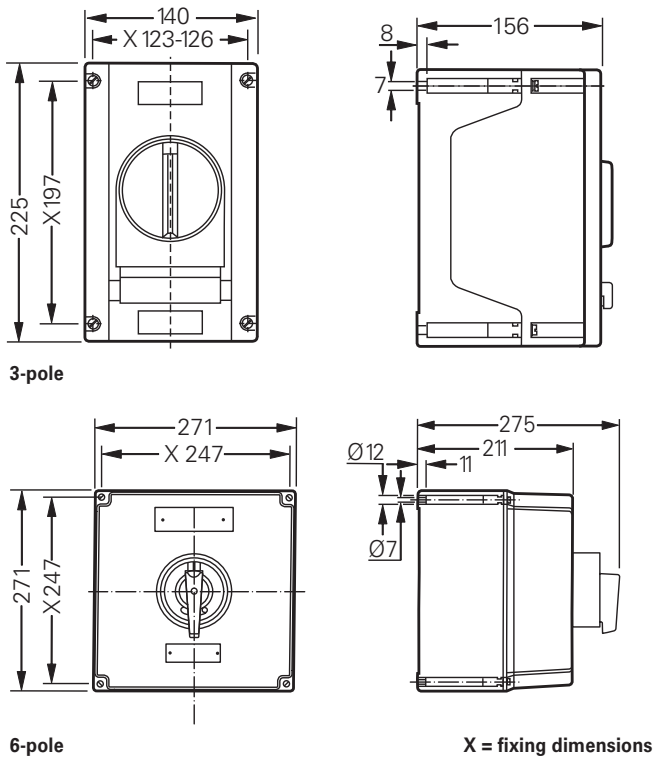
Please pay attention that only order units (OU) according to the ordering details can be delivered.

| Industrial safety switch |



Dimension drawing

5



Dimensions in mm



6-pole EMERGENCY STOP

6-pole

3-pole EMERGENCY STOP

3-pole

Technical data

Industrial safety switch 80 A		
Permissible ambient temperature		-20 °C up to +40 °C
Rated voltage		up to max. 690 V
Rated current		max. 80 A
Frequency		50/60 Hz
Rated making/breaking capacity AC-3 accd. EN 60947-3		U _e 230 V / I _e 80 A
		U _e 400 V / I _e 80 A
		U _e 500 V / I _e 80 A
		U _e 690 V / I _e 80 A
Back-up fuse		up to 400 V AC: 160 A gL
		up to 500 V AC: 160 A gL
		up to 690 V AC: 125 A gL
Connecting terminals	main contact	2 x 25 mm ²
	auxiliary/signal contact	2 x 4 mm ²
Protection class		I
Degree of protection accd. to EN 60529		IP66
Cable glands/enclosure drilling		M25 (d = 8 - 17 mm) see ordering details
		M50 (d = 21 - 35 mm) see ordering details
		Option: metal flange with 2 x thread
Weight	3-pole	approx. 6.50 kg
	6-pole	approx. 9.00 kg
Enclosure material		glass-fibre reinforced polyester
Enclosure colour		black
Auxiliary contact		1 x NO making - lagging; breaking - leading
		1 x NC making - leading; breaking - lagging
Padlocking facility		can be locked in OFF position with 3 commercially available padlocks (Ø max. 6 mm)

Industrial safety switch



3-pole

3-pole EMERGENCY STOP

6-pole

6-pole EMERGENCY STOP

Ordering details

5

Content	Cable gland	Order No.
Industrial safety switch 80 A 3-pole		
Version with 2 auxiliary contacts (1 NO; 1 x NC)		
3-pole	2 x M50 / 1 x M25	GHG 981 0025 R0001
3-pole EMERGENCY STOP	2 x M50 / 1 x M25	GHG 981 0025 R0002
Industrial safety switch 80 A 6-pole		
Version with 2 auxiliary contacts (1 NO; 1 x NC)		
6-pole	4 x M50 / 1 x M25	GHG 981 0026 R0001
6-pole EMERGENCY STOP	4 x M50 / 1 x M25	GHG 981 0026 R0002

Customized version on request

Accessories

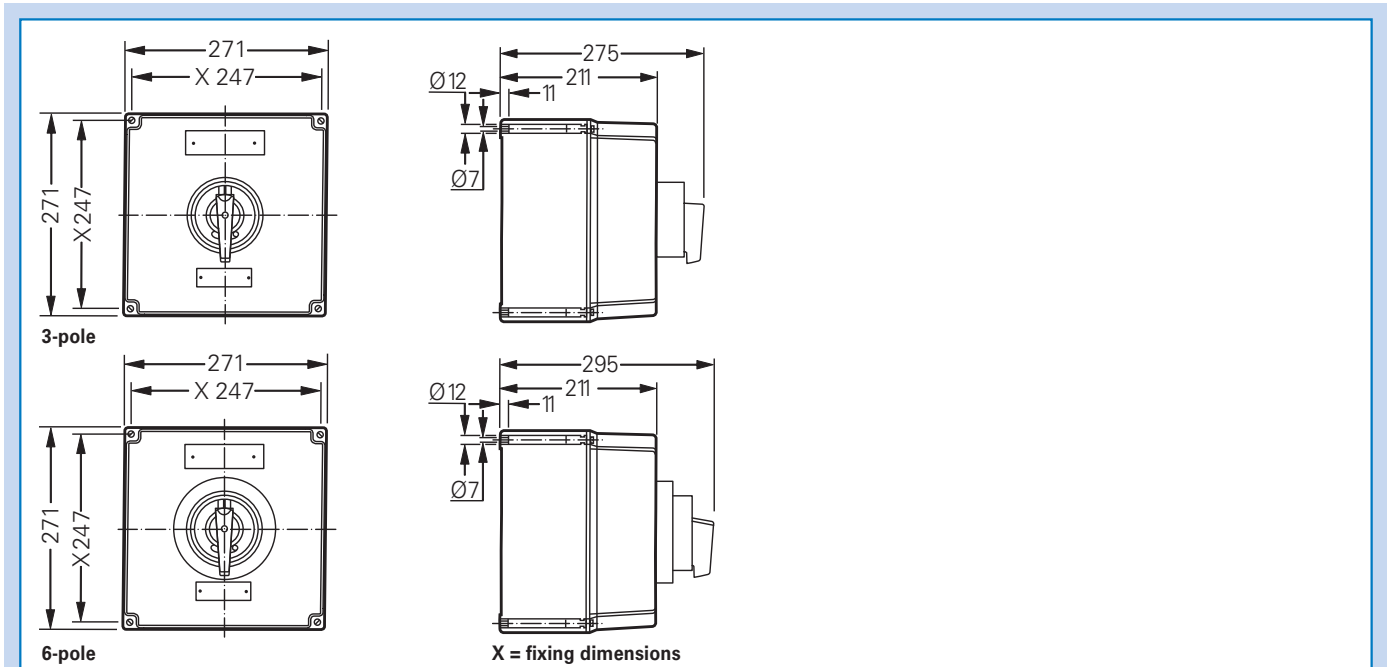
Mounting plate for Industrial safety switch			
Type	Application	Fixing method	Order No.
Size 3	2 x pipe clamp	screw-on ¹⁾	GHG 610 1953 R0110

¹⁾ observe mounting distance

Accessories for mounting plates		
Type	OU	Order No.
Label holder with type label (blank) for mounting plate size 1, 2, 2A and 3	10	GHG 610 1953 R0057
Mounting set for pipes 1" (of 27 - 30 mm) for mounting plates with pipe fixing	10	GHG 610 1953 R0020

Please pay attention that only order units (OU) according to the ordering details can be delivered.

Dimension drawing



Dimensions in mm



6-pole EMERGENCY STOP

6-pole

3-pole EMERGENCY STOP

3-pole

Technical data

Industrial safety switch 100 A

Permissible ambient temperature		-20 °C up to +40 °C
Rated voltage		up to max. 690 V
Rated current		max. 100 A
Frequency		50/60 Hz
Rated making/breaking capacity AC-3 accd. EN 60947-3		U_e 230 V / I_e 100 A
		U_e 400 V / I_e 100 A
		U_e 500 V / I_e 100 A
		U_e 690 V / I_e 100 A
Back-up fuse		up to 400 V AC: 200 A gL
		up to 500 V AC: 200 A gL
		up to 690 V AC: 160 A gL
Connecting terminals	main contact	1 x 50/70 mm ²
	auxiliary/signal contact	2 x 4 mm ²
Protection class		I
Degree of protection accd. to EN 60529		IP66
Cable glands/enclosure drilling		M25 (d = 8 - 17 mm) see ordering details
		M50 (d = 21 - 35 mm) see ordering details
		Option: metal flange with 2 x thread
Weight	3-pole	approx. 9.50 kg
	6-pole	approx. 16.00 kg
Enclosure material	3-pole	glass-fibre reinforced polyester
	6-pole	steel, powder-coated polyester
Enclosure colour		black
Auxiliary contact		1 x NO making - lagging; breaking - leading
		1 x NC making - leading; breaking - lagging
Padlocking facility		can be locked in OFF position with 3 commercially available padlocks (Ø max. 6 mm)

Industrial safety switch



3-pole

3-pole EMERGENCY STOP

6-pole

6-pole EMERGENCY STOP

Ordering details

5

Content	Cable gland	Order No.
Industrial safety switch 100 A 3-pole		
Version with 4 auxiliary contacts (2 x NO; 2 x NC)		
3-pole	2 x M50 / 1 x M25	GHG 981 0029 R0004
3-pole EMERGENCY STOP	2 x M50 / 1 x M25	GHG 981 0029 R0005
Industrial safety switch 100 A 6-pole		
Version with 4 auxiliary contacts (2 x NO; 2 x NC)		
6-pole	4 x M50 / 1 x M25	GHG 981 0030 R0001
6-pole EMERGENCY STOP	4 x M50 / 1 x M25	GHG 981 0030 R0002

Customized version on request

Accessories

Mounting plate for Industrial safety switch			
Type	Application	Fixing method	Order No.
Size 3	2 x pipe clamp	screw-on ¹⁾	GHG 610 1953 R0110

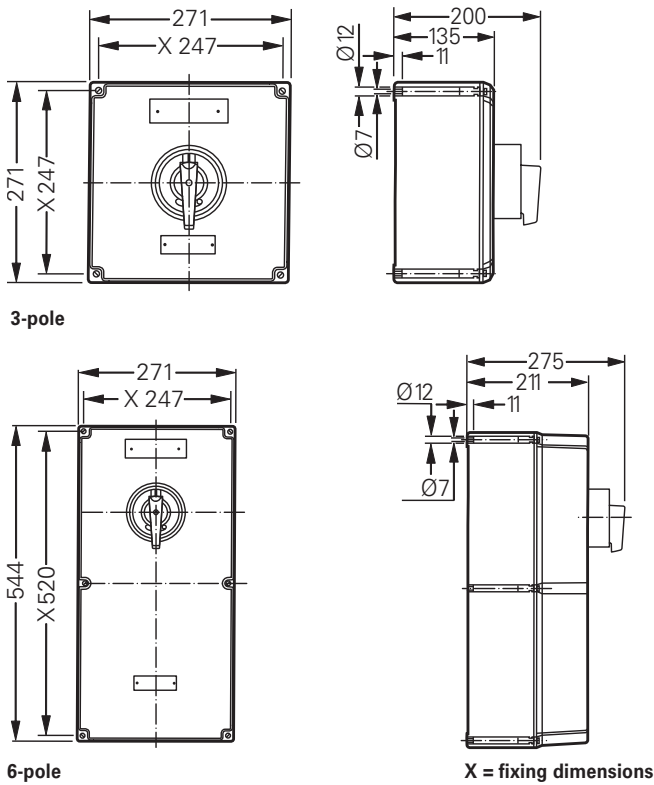
¹⁾ observe mounting distance

Accessories for mounting plates		
Type	OU	Order No.
Label holder with type label (blank) for mounting plate size 1, 2, 2A and 3	10	GHG 610 1953 R0057
Mounting set for pipes 1" (of 27 - 30 mm) for mounting plates with pipe fixing	10	GHG 610 1953 R0020

Please pay attention that only order units (OU) according to the ordering details can be delivered.



Dimension drawing



Industrial safety switch



3-pole



3-pole EMERGENCY STOP



6-pole



6-pole EMERGENCY STOP

Technical data

5

Industrial safety switch 160 A

Permissible ambient temperature		-20 °C up to +40 °C
Rated voltage		up to max. 690 V
Rated current		max. 160 A
Frequency		50/60 Hz
Rated making/breaking capacity AC-3 accd. EN 60947-3		U _e 230 V / I _e 160 A
		U _e 400 V / I _e 160 A
		U _e 500 V / I _e 160 A
		U _e 690 V / I _e 160 A
Back-up fuse		up to 400 V AC: 250 A gL
		up to 500 V AC: 250 A gL
		up to 690 V AC: 200 A gL
Connecting terminals	main contact	1 x 95 mm ²
	auxiliary/signal contact	2 x 4 mm ²
Protection class		I
Degree of protection accd. to EN 60529		IP66
Cable glands/enclosure drilling		M25 (d = 8 - 17 mm) see ordering details
		M63 (d = 27 - 48 mm) see ordering details
		Double cable pothead (d = 46 -72 mm)
		Option: metal flange with 2 x thread
Weight	3-pole	approx. 9.00 kg
	6-pole	approx. 16.50 kg
Enclosure material		glass-fibre reinforced polyester
Enclosure colour		black
Aux. contact		1 x NO making - lagging; breaking - leading
		1 x NC making - leading; breaking - lagging
Padlocking facility		can be locked in OFF position with 3 commercially available padlocks (Ø max. 6 mm)



6-pole EMERGENCY STOP

6-pole

3-pole EMERGENCY STOP

3-pole

Ordering details

Content	Cable gland	Order No.
Industrial safety switch 160 A 3-pole		
Version with 4 auxiliary contacts (2 x NO; 2 x NC)		
3-pole	2 x M63 / 1 x M25	GHG 981 0031 R0003
3-pole EMERGENCY STOP	2 x M63 / 1 x M25	GHG 981 0031 R0004
Industrial safety switch 160 A 6-pole		
Version with 4 auxiliary contacts (2 x NO; 2 x NC)		
6-pole	4 x M50 / 1 x M25	GHG 981 0032 R0003
6-pole EMERGENCY STOP	4 x M50 / 1 x M25	GHG 981 0032 R0004

Customized version on request

Accessories

Mounting plate for Industrial safety switch			
Type	Application	Fixing method	Order No.
Size 3	2 x pipe clamp	screw-on ¹⁾	GHG 610 1953 R0110

¹⁾ observe mounting distance

Accessories for mounting plates		
Type	OU	Order No.
Label holder with type label (blank) for mounting plate size 1, 2, 2A and 3	10	GHG 610 1953 R0057
Mounting set for pipes 1" (of 27 - 30 mm) for mounting plates with pipe fixing	10	GHG 610 1953 R0020

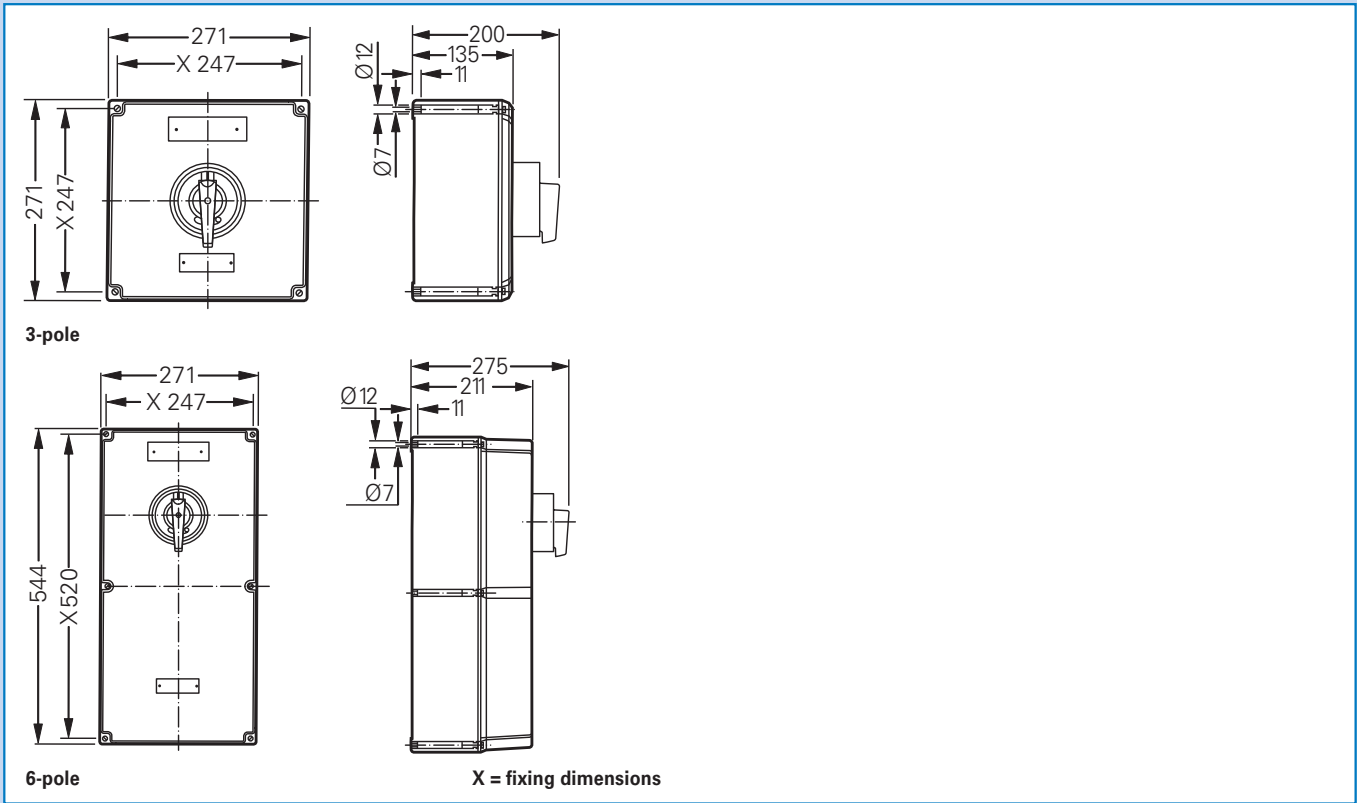
Please pay attention that only order units (OU) according to the ordering details can be delivered.

| Industrial safety switch |



Dimension drawing

5



Dimensions in mm



3-/6-pole EMERGENCY STOP



3-/6-pole

Technical data

Industrial safety switch 250 A

Permissible ambient temperature		-20 °C up to +40 °C
Rated voltage		up to max. 690 V
Rated current		max. 250 A
Frequency		50/60 Hz
Rated making/breaking capacity AC-3 accd. EN 60947-3		U _e 230 V / I _e 250 A
		U _e 400 V / I _e 250 A
		U _e 500 V / I _e 250 A
		U _e 690 V / I _e 250 A
Back-up fuse		up to 400 V AC: 250 A gL
		up to 500 V AC: 200 A gL
		up to 690 V AC: 200 A gL
Connecting terminals	main contact 3-pole	3 x 150 mm ² /95 mm ²
	6-pole	6 x 150 mm ² /2 x 95 mm ²
	auxiliary/signal contact	2 x 4 mm ²
Protection class		I
Degree of protection accd. to EN 60529		IP65
Cable glands/enclosure drilling		M25 (d = 8 - 17 mm) see ordering details
		M63 (d = 27 - 48 mm) see ordering details
Weight	3-pole	approx. 18 kg
	6-pole	approx. 31 kg
Enclosure material		sheet steel polyester powder coated
Enclosure colour		RAL 7032
Aux. contact		1 x NO making - lagging; breaking - leading
		1 x NC making - leading; breaking - lagging
Padlocking facility		can be locked in OFF position with 3 commercially available padlocks

Industrial safety switch



3-/6-pole

3-/6-pole EMERGENCY STOP

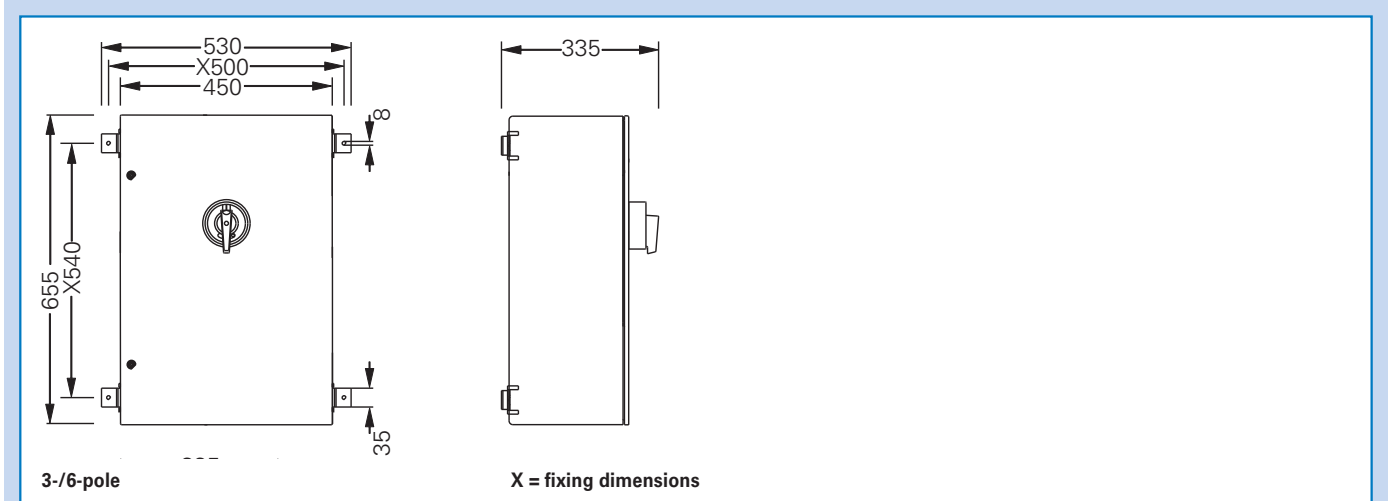
Ordering details

5

Content	Cable gland	Order No.
Industrial safety switch 250 A 3-pole		
Version with 2 auxiliary contacts (1 NO; 1 x NC)		
3-pole	2 x M63 / 1 x M25	KO 731713 W0001
3-pole EMERGENCY STOP	2 x M63 / 1 x M25	KO 731723 W0001
Industrial safety switch 250 A 6-pole		
Version with 2 auxiliary contacts (1 NO; 1 x NC)		
6-pole	4 x M63 / 1 x M25	KO 731716 W0001
6-pole EMERGENCY STOP	4 x M63 / 1 x M25	KO 731726 W0001

Customized version on request

Dimension drawing





3-pole EMERGENCY STOP



3-pole

Technical data

Industrial safety switch 400 A

Permissible ambient temperature	-20 °C up to +40 °C	
Rated voltage	up to max. 690 V	
Rated current	max. 400 A	
Frequency	50/60 Hz	
Rated making/breaking capacity AC-3 accd. EN 60947-3	U _e 230 V / I _e 400 A	
	U _e 400 V / I _e 400 A	
	U _e 500 V / I _e 400 A	
	U _e 690 V / I _e 400 A	
Back-up fuse	up to 400 V AC: 500 A gL	
	up to 500 V AC: 500 A gL	
	up to 690 V AC: 500 A gL	
Connecting terminals	main contact	3 x 150 mm ² /95 mm ²
	auxiliary/signal contact	2 x 4 mm ²
Protection class	I	
Degree of protection accd. to EN 60529	IP65	
Cable glands/enclosure drilling	M25 (d = 8 - 17 mm) see ordering details	
	M63 (d = 27 - 48 mm) see ordering details	
Weight	approx. 39.50 kg	
Enclosure material	steel, powder-coated polyester	
Enclosure colour	RAL 7032	
Aux. contact	1 x NO making - lagging; breaking - leading	
	1 x NC making - leading; breaking - lagging	
Padlocking facility	can be locked in OFF position with 3 commercially available padlocks	

Industrial safety switch



3-pole

3-pole EMERGENCY STOP

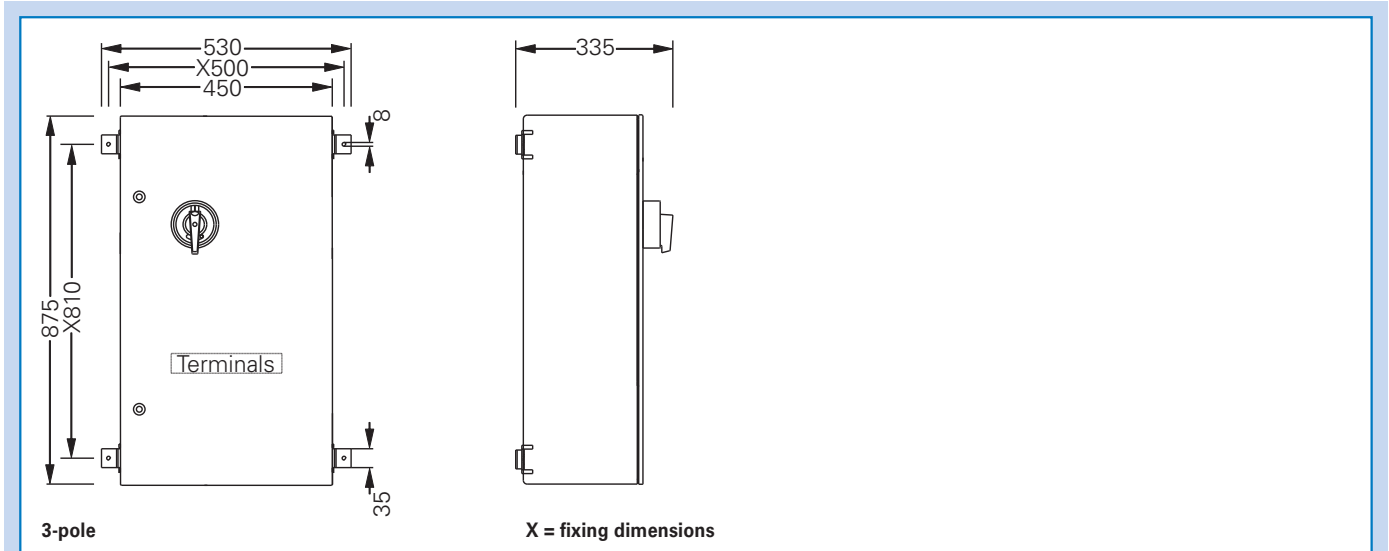
Ordering details

5

Content	Cable gland	Order No.
Industrial safety switch 400 A 3-pole		
Version with 2 auxiliary contacts (1 NO; 1 x NC)		
3-pole	4 x M63 / 1 x M25	KO 731713 X0001
3-pole EMERGENCY STOP	4 x M63 / 1 x M25	KO 731723 X0001

Customized version on request

Dimension drawing



Dimensions in mm



3-pole EMERGENCY STOP



3-pole

Technical data

Industrial safety switch 630 A

Permissible ambient temperature	-20 °C up to +40 °C	
Rated voltage	up to max. 690 V	
Rated current	max. 630 A	
Frequency	50/60 Hz	
Rated making/breaking capacity AC-3 accd. EN 60947-3	U _e 230 V / I _e 630 A	
	U _e 400 V / I _e 630 A	
	U _e 500 V / I _e 630 A	
	U _e 690 V / I _e 630 A	
Back-up fuse	up to 400 V AC: 800 A gL	
	up to 500 V AC: 800 A gL	
	up to 690 V AC: 800 A gL	
Connecting terminals	main contact	3 x 240 mm ² /120 mm ²
	auxiliary/signal contact	2 x 4 mm ²
Protection class	I	
Degree of protection accd. to EN 60529	IP65	
Cable glands/enclosure drilling	M25 (d = 8 - 17 mm) see ordering details	
	M80 (d = 62 - 68 mm) see ordering details	
Weight	approx. 40.50 kg	
Enclosure material	steel, powder-coated polyester	
Enclosure colour	RAL 7032	
Aux. contact	1 x NO making - lagging; breaking - leading	
	1 x NC making - leading; breaking - lagging	
Padlocking facility	can be locked in OFF position with 3 commercially available padlocks (Ø max. 6 mm)	

Industrial safety switch



3-pole

3-pole EMERGENCY STOP

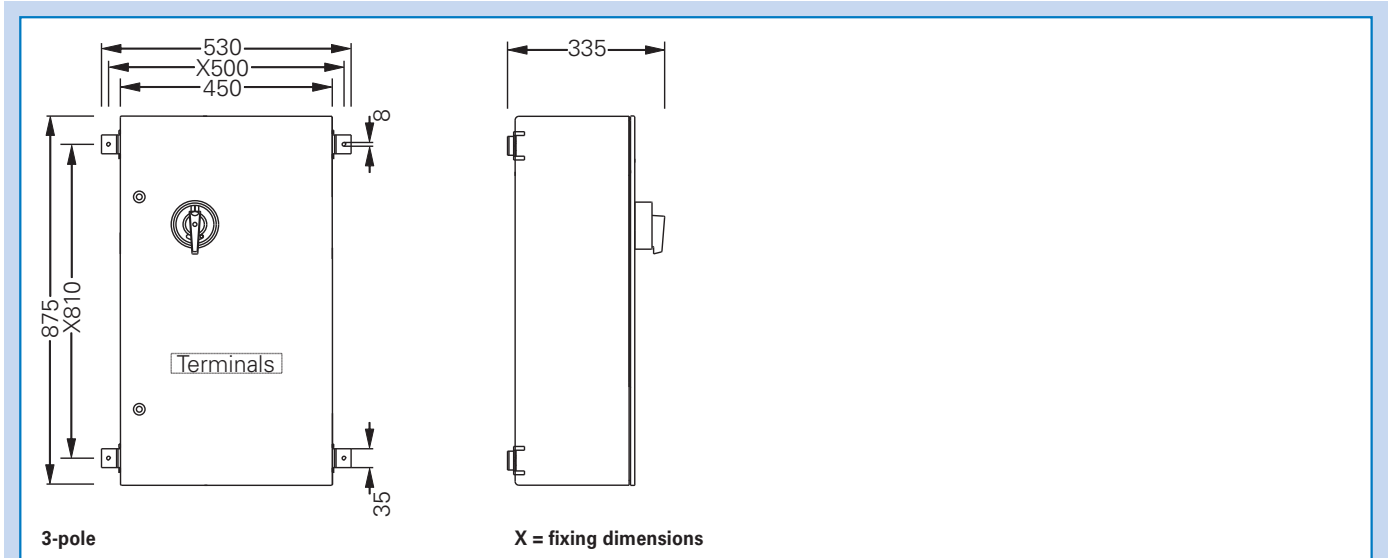
Ordering details

5

Content	Cable gland	Order No.
Industrial safety switch 630 A 3-pole		
Version with 2 auxiliary contacts (1 NO; 1 x NC)		
3-pole	4 x M80 / 1 x M25	KO 731713 Y0001
3-pole EMERGENCY STOP	4 x M80 / 1 x M25	KO 731723 Y0001

Customized version on request

Dimension drawing



Dimensions in mm