

# ATEX Safety Torch with LED

Zones: 1, 2, 21 and 22



## Product Overview

The ATEX Safety Torches with LED give reliable, simple, cost effective, high output LED performance in a straight or right-angle body style and are CE marked to the ATEX Directive for safe use in Zones 1 and 2 potentially explosive gas and Zones 21 and 22 dust atmospheres.

The torches give an exceptional output of up to four times more light than an incandescent torch bulb, generating a piercing white spot beam combined with a wide-angle flood of fringe light, for excellent visibility in conditions of darkness or reduced visibility. With a typical life of over 25,000 hours, the LED is expected to last the product lifetime, minimising product maintenance and eliminating risk of light source failure. Additionally it gives an increased battery duration of up to 27 hours from a set of two alkaline 'D' cells, more than twice the duration from a conventional safety torch using the same cells.

With a low battery indicator, emitting a flashing red light to show good battery power and correct torch function, changing to solid red to warn of 'low battery' power and after several hours in the 'low battery' phase, the light will cut out. The compact torch body, in straight or right-angle form, has an enhanced ergonomic design for easy grip and single handed switching, even with gloved hands, offers high strength and proven impact resistance even at sub zero temperatures and has excellent chemical resistance. The rubber armoured lens ring and end cap give enhanced grip and shock protection and the shatterproof polycarbonate lens has a scratch and chemical resistant coating.

The torch is sealed dust tight and protected from water immersion with a certified IP67 enclosure. The right angle model incorporates a replaceable high strength thermoplastic belt clip for hands-free use. Both models allow straight forward battery replacement.

## Features & Benefits

- ATEX certified for explosive gas and dust approval
- High output LED light source
- Duration up to 27 hours from 2 x 1.5V D Cells LR20
- T4 temperature class
- IP67 dust and watertight
- Low battery indicator
- Simple, robust design
- Straight and right-angle versions
- Single handed switching
- LED module can be retro-fitted to Wolf T4 bulb torches
- All models are supplied with wrist straps

## Certifications



1180

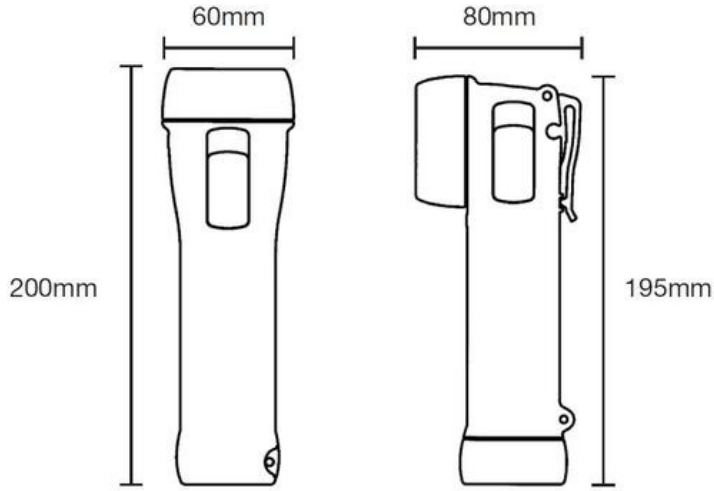


# Technical Specification

Product Reference		TR-30+	TS-30+
Product Description		ATEX Safety Torch with LED, Primary Cell Powered	
		R/Angle T4 LED Torch with Indicator	Straight T4 LED Torch with Indicator
Code (ATEX & IECEx)		II 2 GD Ex e ib IIC T4 Gb (Ta=55 °C*) *IECEX 40 °C Ex tb IIIC T95 °C Db (Ta=55 °C)	
Type of Protection		Increased Safety, Intrinsic Safety	
Area of Classification (Gases)		Zones 1 & 2 Gas Groups IIA, IIB IIC	
Max Surface Temp (Gases)		T4	
Ambient Temperature (Gases)		-20 °C to +55 °C* *IECEX +40 °C	
Area of Classification (Dusts)		Zones 21 and 22	
Max Surface Temp. (Dusts)		95 °C	
Ambient temperature (Dusts)		-20 °C to +55 °C	
Certificate		ATEX BAS02ATEX2220X / IECEx TSA 05.0017X	
Enclosure		Impact Resistant Thermoplastic, Electrostatic Non-hazardous	
Lens		Polycarbonate, Impact Resistant with Hard Coat	
Beam Type		Medium Spot	
Light Source:	Part Number	TP-300	
	Power	Torch LED Module	
	Output	70 lm	
	Life	25,000hrs+ (Fitted for Life)	
Power Source:	Part Number	2 x H-20 (LR-20)	
	Cell Type	LR20 Primary Cells to IEC60086	
	Volts	2 x 1.5v	
Low Battery Indicator		Yes	
Light Duration		Up to 22 hours to low power indicator up to 27 hours total	
Ingress Protection		IP67	
Weight (inc. cells)		0.500Kg	0.475Kg

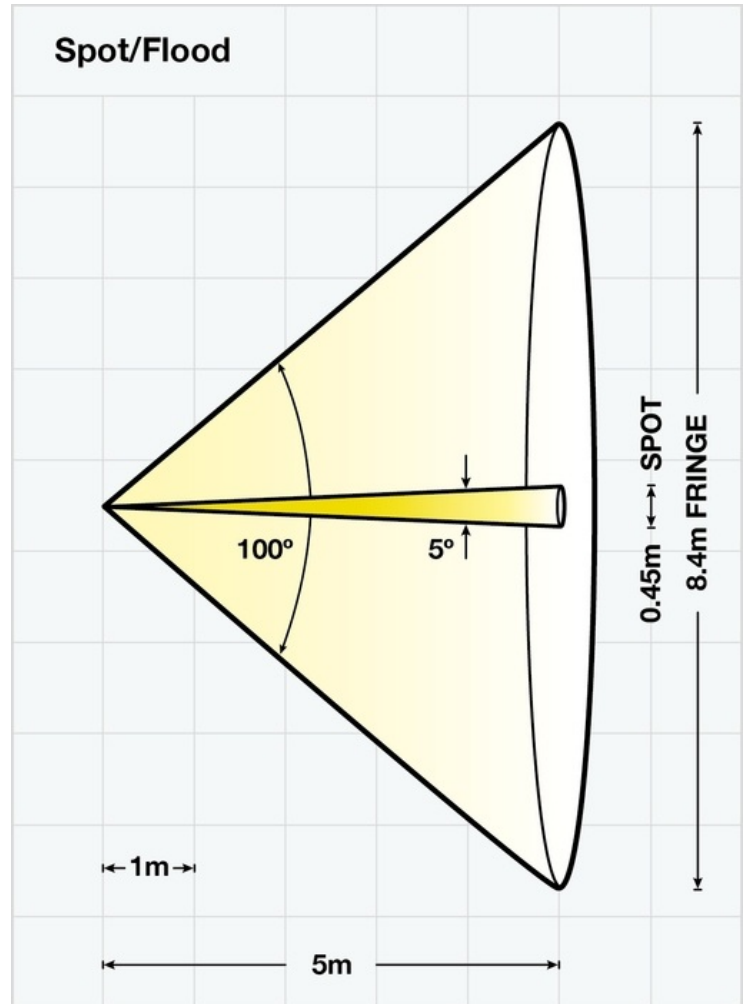
- The Maximum Ambient Temperature (Gases) specified is for use only with certain specified cells, see instructions.
- All information has been gathered under laboratory conditions, the user must regard the values given as approximate.
- Changes may be made to the above specification without notification, details are available on request.

## Product Dimensions



## Light Output

70 lumens Beam (approx 5°)  
 Peak luminous intensity at 1m **8600lux**, 5m, **291lux**



Version: SL035 Issue 4



Wolf Safety Lamp Company, Saxon Road Works, Sheffield, S8 0YA, UK  
 T: +44 (0) 114 255 1051 F: +44 (0) 114 255 7988  
 E: info@wolf-safety.co.uk www.wolf-safety.co.uk

