

# Type **TK25 H<sub>2</sub>**

## WEH<sup>®</sup> H<sub>2</sub> Fueling Nozzle

for heavy-duty vehicles (buses and trucks) at self-service fueling stations



## General

### DESCRIPTION



#### Features

- Compatible with WEH<sup>®</sup> TN5 H<sub>2</sub> receptacle profile
- Safety features when not connected
- Extremely high flow rate → short filling times
- Recirculation of the vented gas
- Plastic thermal protection
- WEH<sup>®</sup> Jaw locking mechanism
- High-grade materials
- Coding for pressure range / gas type

The WEH<sup>®</sup> TK25 H<sub>2</sub> Fueling Nozzle meets all requirements placed on a fueling nozzle for bus and truck refueling. Thus making hydrogen refueling as easy as gasoline refueling.

Simply place the TK25 H<sub>2</sub> fueling nozzle onto the receptacle and with a 180° turn of the actuation lever the filling procedure can start.

#### Safety

WEH<sup>®</sup> TK25 H<sub>2</sub> offers optimum safety to the operator.

The fueling nozzle remains connected to the receptacle until the gas between inlet valve and receptacle is depressurized.

#### Application

Fueling nozzle for H<sub>2</sub> fast filling of heavy-duty vehicles (buses and trucks) at self-service fueling stations.

NOZZLE - pressure range/coding		
	3,600 psi	5,000 psi
RECEPTACLE - pressure range/coding		
3,600 psi	✓	
5,000 psi	✓	✓

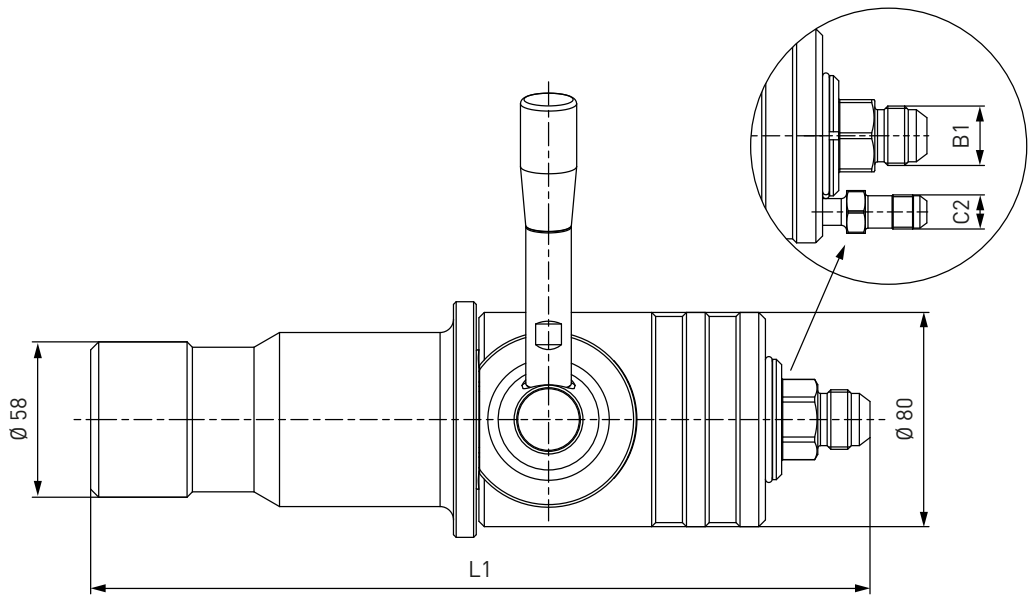
### TECHNICAL DATA

Characteristic	Basic version	Options
Nominal bore DN	12 mm	On request
Pressure range	PN = 250 bar (3,600 psi)   PS = 350 bar   PT = 500 bar PN = 350 bar (5,000 psi)   PS = 450 bar   PT = 645 bar	
Temperature range	-40 °F up to +185 °F	On request
Material	Corrosion resistant	On request
Sealing material	Hydrogen compatible	On request
Design	With plastic thermal protection and gas recirculation	On request
Weight	Approx. 10.14 lbs.	
Registration	SAE J2600:2002	

**Ordering / Accessories**

**ORDERING** | WEH® TK25 H<sub>2</sub> Fueling Nozzle

approx. dimensions (mm)



Part No.	Description	Pressure (PN)	Inlet B1 (male thread)	Gas recirculation C2 (male thread)	L1
<b>C1-62529-X01</b>	TK25 H <sub>2</sub>	250 bar / 3,600 psi	UNF 7/8"-14*	UNF 9/16"-18*	290
<b>C1-62527-X1-X01</b>	TK25 H <sub>2</sub>	350 bar / 5,000 psi	UNF 7/8"-14*	UNF 9/16"-18*	297

\* acc. to SAE J514, 37°

Complete nozzle-hose-assemblies consisting of fueling nozzle, hose set and breakaway coupling are available on request.

**ACCESSORIES**

The following accessories are available for the WEH® TK25 H<sub>2</sub> Fueling Nozzle:

**Filling and venting hoses**

Filling and venting hose for connecting fueling nozzle and TSA5 H<sub>2</sub> breakaway coupling, complete with fittings and press-fittings supported by coil spring stubs.

Design: max. operating pressure PS: 450 bar (6,530 psi) / nominal bore DN: 6.35 mm



Part No.	Filling hose B1/B2 (female thread)	Venting hose C1/C2 (female thread)	Hose length
<b>C1-33046</b>	UNF 7/8"-14*	UNF 9/16"-18*	3 m
<b>C1-33047</b>	UNF 7/8"-14*	UNF 9/16"-18*	4 m
<b>C1-44255</b>	UNF 7/8"-14*	UNF 9/16"-18*	5 m

\* acc. to SAE JIC, 37°

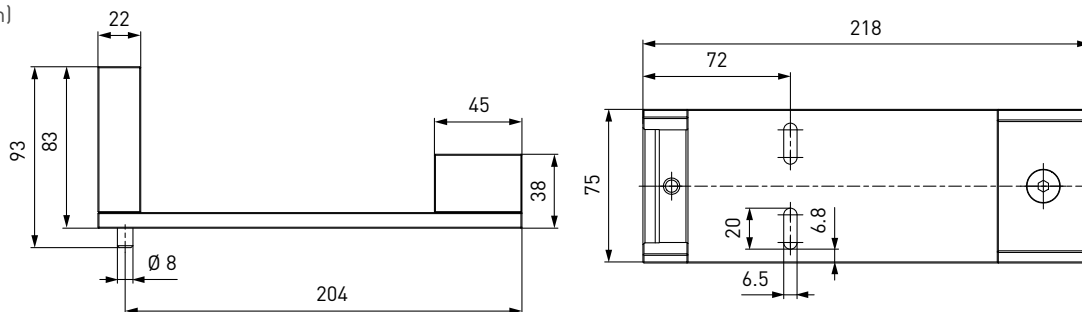
## Accessories

### Dispenser mounting

Mounting for safe attachment of the fueling nozzle to the dispenser. Design: Aluminium, stainless steel

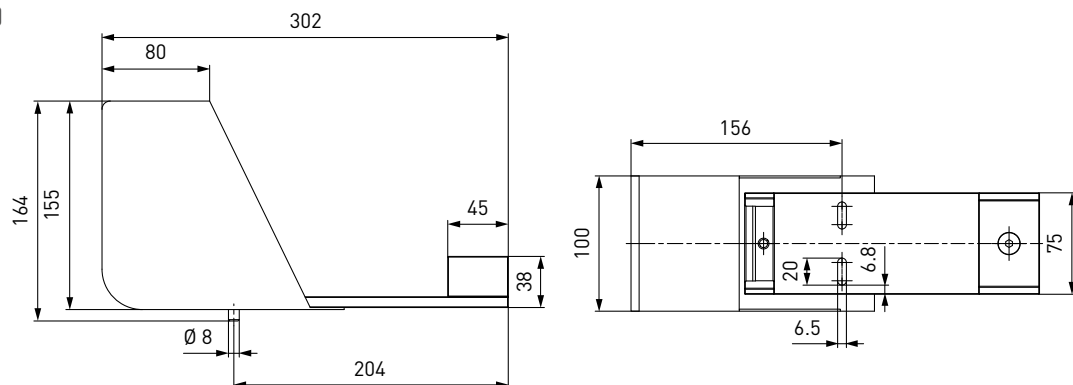
#### Switch actuated mounting (C1-83005)

approx. dimensions (mm)



#### Switch actuated mounting with weather protection (C1-82153)

approx. dimensions (mm)



Part No.	Description
C1-83005	Mounting (switch actuated)
C1-82153	Mounting (switch actuated) and weather protection

## Accessories

### Fittings

Stainless steel fittings for connecting port 'B1' to the filling hose resp. the port 'C2' to the venting hose are available on request.

### Spare parts

Various parts are available as spares for the TK25 H<sub>2</sub> fueling nozzle.



Part No.	Description
<b>W6631</b>	<b>1</b> Actuation lever
<b>E99-44923</b>	Maintenance spray

## Other products

### OTHER PRODUCTS

You will find more products in our current catalog no. 50



Further information on our homepage  
[www.weh.com](http://www.weh.com)

#### Abbreviations/Definition

Explanation of abbreviations see technical appendix in the catalogue or [www.weh.com](http://www.weh.com)

#### Safe product selection

Our WEH® Products are designed to be operated by qualified professional users (insofar as WEH® Products are also designed to be operated by other users in individual cases, this is explicitly stated in the corresponding operating instructions). You alone are responsible for the selection of WEH® Products and their configuration according to the requirements of your system. In doing so, please particularly consider your intended use, your performance data, your material compatibility, your system concept and your system limits as well as your technical and legal requirements for operation, handling and maintenance. The quality and safety of WEH® Products is our highest priority. For this reason, WEH® Products may not be used outside the specifications in the relevant data sheets and product descriptions. We also strongly recommend that you refrain from using third-party spare parts or a combination of WEH® Products with unsuitable third-party products. You alone are responsible for reviewing the suitability of third-party products. WEH® Products and WEH® Spare parts comply with our quality and safety standards.

#### Explanation on the Pressure Equipment Directive

These WEH® Products are generally and exclusively classified as pressure accessories for piping in accordance with Article 2 (5) of the Pressure Equipment Directive 2014/68/EU. These WEH® Products may not be used (i) as safety accessories or (ii) for vessels as defined by the Pressure Equipment Directive 2014/68/EU. Therefore, the application of these WEH® Products must comply with their classification as pressure accessories for piping. The assessment with regard to a different classification can, however, be made on request.

#### External change management

WEH reserves the right to update, optimise and adjust its products continuously. This may result in corresponding changes of the product. Customers will be informed proactively or unsolicited by WEH only in individual cases about product updates, product optimisations and/or product adaptations that have been carried out. You are free to contact WEH at any time to request information about any product updates, product optimisations and/or product adjustments.

© All rights reserved, WEH GmbH. Any unauthorized use is strictly forbidden. Subject to alteration.  
 No liability will be assumed for any content. Herewith previous versions are no longer valid.

### » Contacting

For queries and further information, please do not hesitate to contact us.

Manufacturer:

**WEH GmbH Gas Technology**

Josef-Henle-Str. 1  
 89257 Illertissen / Germany

Phone: +49 7303 95190-0  
 Fax: +49 7303 95190-9999

Email: [h2sales@weh.com](mailto:h2sales@weh.com)  
[www.weh.com](http://www.weh.com)



Distributor US:

**WEH Technologies Inc.**

24903 Laguna Edge Drive  
 Katy, TX 77494 / USA

Phone: +1 832 331 0021  
 Fax: +1 281 712 2664

Email: [sales@weh.us](mailto:sales@weh.us)  
[www.weh.us](http://www.weh.us)