

SF 200 Conventional Fire Alarm Siren

Description

SF 200 is an outdoor conventional piezo siren. The siren is equipped with 2 LED flash indicators and 1 status indicator.

Technical and Environmental Specifications

| | |
|------------------------------|----------------|
| Operating Voltage Range | 12-30VDC |
| Consumption | 90mA@24V |
| Sound output | 96dB@1m |
| Sounder Type | Piezo |
| LED Indication | 3 LEDs |
| Operating Temperature | -40°C to +85°C |
| Protection (for electronics) | IP54 |
| Weight | ~1.5kg |
| Dimensions | 270x180x85mm |
| Materials (plastic), color | ABS, red |
| Base Frequency | 3.2 - 3.8 kHz |
| Modulating Frequency | 3 Hz |

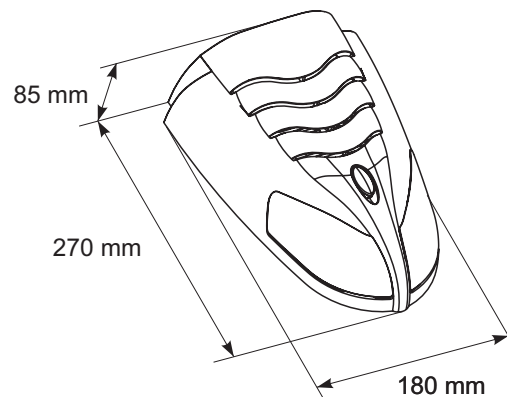


Compatible Product Range

- **MAG Series** - Conventional panels

Packing Information

- **Single packing box** - 1 unit SF 200 Conventional Fire Siren, dimensions 271x180x92mm
- **Carton packing box** - 5 units SF 200 Conventional Fire Siren, dimensions 486x305x206mm



Contact Information: